



Outperform every day.™

Project:  
Item Number:  
Quantity:

## ELECTRIC MEAT GRINDERS



40743



40744

### ITEMS

Item No.	Model No.	Description
40743	MIN0012	Meat Grinder, No. 12
40744	MIN0022	Meat Grinder, No. 22

### FEATURES

- Energy efficient motor and precision gear drive.
- Excellent fit and finish with no sharp corners or seams.
- Forward/Off/Reverse switch.
- Reliable under the most demanding conditions.
- Attractive, compact design suitable for any open kitchen or supermarket.
- Shipped with 1/8" (32 mm) and 5/16" (79 mm) grinder plates.
- Perfect for butchers, supermarkets, Asian restaurants, delis and pizza shops.
- Sausage stuffer and feed stick accessories included.
- Convenient top-mounted carrying handle.
- The grinder body, head and tray are constructed of stainless steel.
- Grinding head, pan and attachments are dishwasher safe.
- No. 12 unit features 1 HP motor to grind 264 lb (120 kg) of meat per hour.
- No. 22 unit features 1.5 HP motor to grind 528 lb (240 kg) of meat per hour.
- 6 ft. (1.8 m) cord with plug.

### DESCRIPTION

Vollrath's meat grinders are noted for their exceptional reliability and attractive, compact design. Perfect for butchers, supermarkets, Asian restaurants, delis and pizza shops

### WARRANTY

All models shown come with Vollrath's standard warranty against defects in materials and workmanship. For full warranty details, please refer to [www.Vollrath.com](http://www.Vollrath.com).

### Agency Listings



Due to continued product improvement, please consult [www.vollrath.com](http://www.vollrath.com) for current product specifications.

Approvals	Date



Outperform every day.™

[www.vollrath.com](http://www.vollrath.com)

### The Vollrath Company, L.L.C.

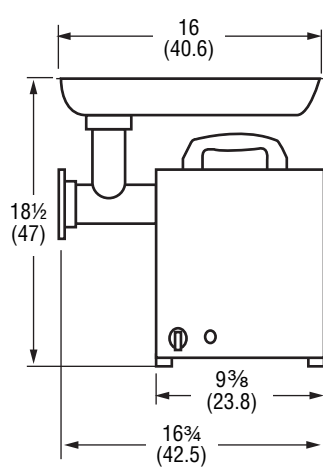
1236 North 18th Street  
Sheboygan, WI 53081-3201 U.S.A.  
Main Tel: 800.624.2051 or 920.457.4851  
Main Fax: 800.752.5620 or 920.459.6573  
Customer Service: 800.628.0830  
Canada Customer Service: 800.695.8560

Technical Services  
[techservicereps@vollrathco.com](mailto:techservicereps@vollrathco.com)  
Toaster Products: 800.309.2250  
All Other Products: 800.628.0832

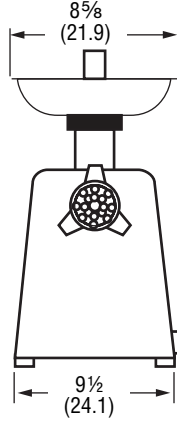
# ELECTRIC MEAT GRINDERS

## DIMENSIONS (Shown in inches (cm))

### 40743

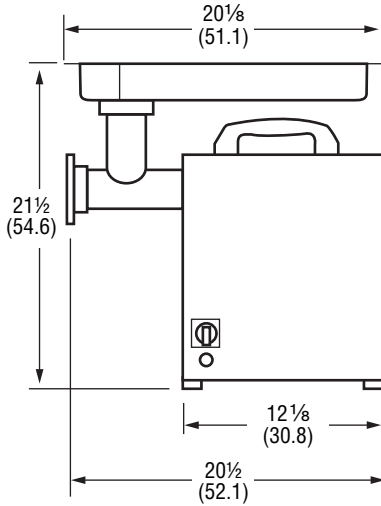


Side View

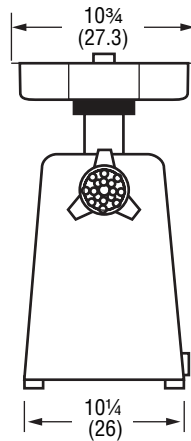


Front View

### 40744



Side View

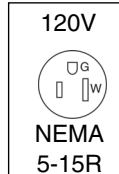


Front View

## SPECIFICATIONS

Item No.	Output Lbs (kg)/Hr	HP	Voltage	Amps	Weight Lb (kg)	Plug
40743	264 (120) <sup>200</sup>	1	110	6	53.4 (24.2)	NEMA 5-15P
40744	528 (240)	1 1/2		8	87.4 (39.6)	

### Receptacle



Outperform every day.™

[www.vollrath.com](http://www.vollrath.com)

### The Vollrath Company, L.L.C.

1236 North 18th Street  
 Sheboygan, WI 53081-3201 U.S.A.  
 Main Tel: 800.624.2051 or 920.457.4851  
 Main Fax: 800.752.5620 or 920.459.6573  
 Customer Service: 800.628.0830  
 Canada Customer Service: 800.695.8560

Technical Services  
[techservicereps@vollrathco.com](mailto:techservicereps@vollrathco.com)  
 Toasters: 1.800.309.2250  
 All Other Products: 1.800.628.0832