



Outperform every day.™

Project:

Item Number:

Quantity:

Cayenne® Standard-Duty 10 lb Electric Countertop Fryers

The Vollrath Company, L.L.C.

CAYENNE® STANDARD-DUTY 10 LB ELECTRIC COUNTERTOP FRYERS



40705



40707

Cayenne® Standard-Duty Electric Fryers

DESCRIPTION

Vollrath Cayenne® Standard Duty Fryers are designed to create a delicious variety of crisp fried food with minimal fuss. Delight your customers with French fries, chicken, seafood, and more.

ITEMS

| Item No. | Model No. | Description |
|----------|-----------|-----------------------------------|
| 40705 | FFA7110 | Countertop Fryer, 10 lb. |
| 40706 | FFA8110 | Countertop Fryer, 10 lb. |
| 40707 | FFA7020 | Dual Countertop Fryer, 2 x 10 lb. |
| 40708 | FFA8020 | Dual Countertop Fryer, 2 x 10 lb. |

FEATURES

- Ideal for small pubs, colleges, and product-specific applications
- Dual unit provides increased volume and separation of food types to prevent flavor transfer from oil
- Lift-out, one-piece stainless steel tank with carrying handles for easier cleaning
- Minimal footprint to accommodate tight counter spaces
- Thermostatically controlled to 375° F (190° C)
- Automatic thermal overload shutoff at 390° F (199° C) for safety
- Micro-switch shuts down unit for safety when element box is removed
- Quick heat-up and temperature recovery time between loads
- Nickel-plated steel wire basket with cool-touch handle
- "Power On" indicator light
- Non-skid rubber feet prevent slipping
- Ships with two baskets per unit
- Dual unit features removable element box assemblies for easy cleaning and versatility. Each box is wired separately and with its own 5 ft. (1.5 m) cord and plug

CLEARANCE AND ENVIRONMENT REQUIREMENTS

- Minimum clearance from combustible construction: 6" (15 cm) from the sides and back of the fryer
- Minimum clearance from surface flames from adjacent equipment: 16" (40.6 cm)
- Must not be installed under combustible materials.
- Should be installed under a hood in accordance with the latest edition of the Standard for Ventilation Control and Fire Protection of Commercial Cooking Operations, NFPA 96.

WARRANTY

All models shown come with Vollrath's standard warranty against defects in materials and workmanship. For full warranty details, please refer to www.Vollrath.com.

Agency Listings



Due to continued product improvement, please consult www.vollrath.com for current product specifications.

| Approvals | Date |
|-----------|------|
| | |



Outperform every day.™

www.vollrath.com

The Vollrath Company, L.L.C.

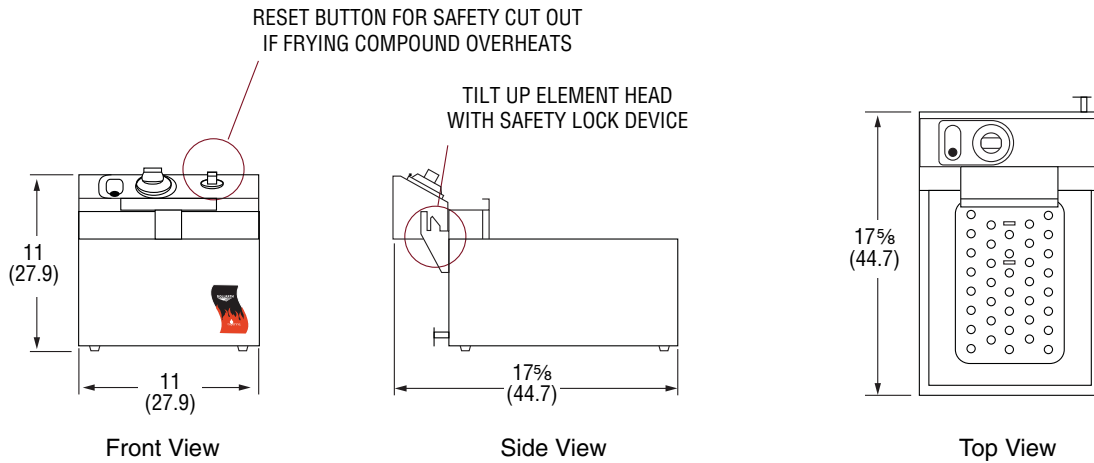
1236 North 18th Street
Sheboygan, WI 53081-3201 U.S.A.
Main Tel: 800.624.2051 or 920.457.4851
Main Fax: 800.752.5620 or 920.459.6573
Customer Service: 800.628.0830
Canada Customer Service: 800.695.8560

Technical Services
techservicereps@vollrathco.com
Induction Products: 800.825.6036
Countertop Warming Products: 800.354.1970
All Other Products: 800.628.0832

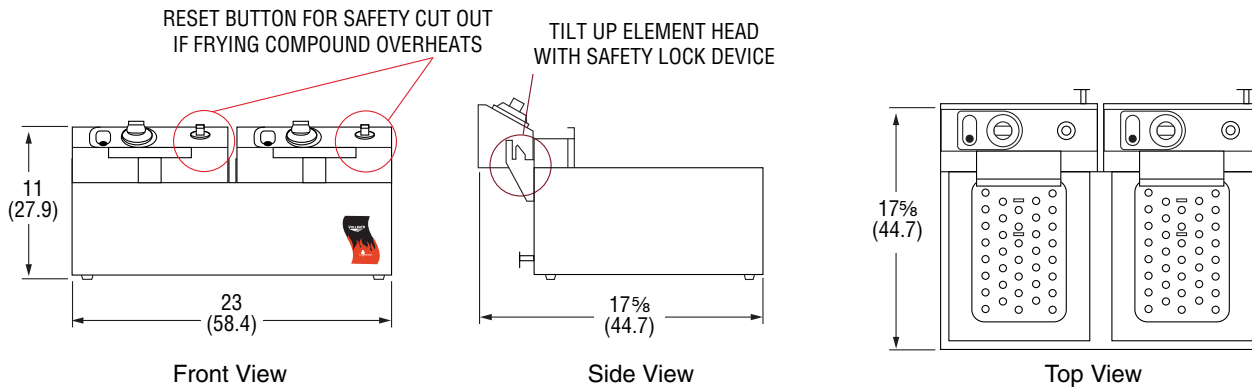
CAYENNE® STANDARD-DUTY 10 LB ELECTRIC COUNTERTOP FRYERS

DIMENSIONS (Shown in inches (cm))

40705 and 40706



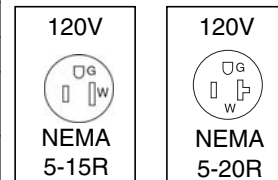
40707 and 40708



SPECIFICATIONS

| Item No. | Description | Volts | Watts | Amps | Ship Weight LB (Kg) | Plug |
|----------|-------------|---------|-----------------------|-----------------------|------------------------|------------------------|
| 40705 | Single | 120 | 1800 | 15 | 15 (6.8) | NEMA 5-15P |
| 40706 | Single | 208-240 | 2253-3000 | 10.8-12.5 | 15 (6.8) | NEMA 6-15P |
| 40707* | Dual | 120 | 1800 per well | 15 per well | 30 (13.6) | NEMA 5-15P per well |
| 40708* | Dual | 208-240 | 2253-3000 per well | 10.8-12.5 per well | 30 (13.6) | NEMA 6-15P per well |

Receptacles



*Dual unit requires two receptacles.



Outperform every day.™

www.vollrath.com

The Vollrath Company, L.L.C.

1236 North 18th Street
 Sheboygan, WI 53081-3201 U.S.A.
 Main Tel: 800.624.2051 or 920.457.4851
 Main Fax: 800.752.5620 or 920.459.6573
 Customer Service: 800.628.0830
 Canada Customer Service: 800.695.8560

Technical Services
techservicereps@vollrathco.com
 Induction Products: 800.825.6036
 Countertop Warming Products: 800.354.1970
 All Other Products: 800.628.0832