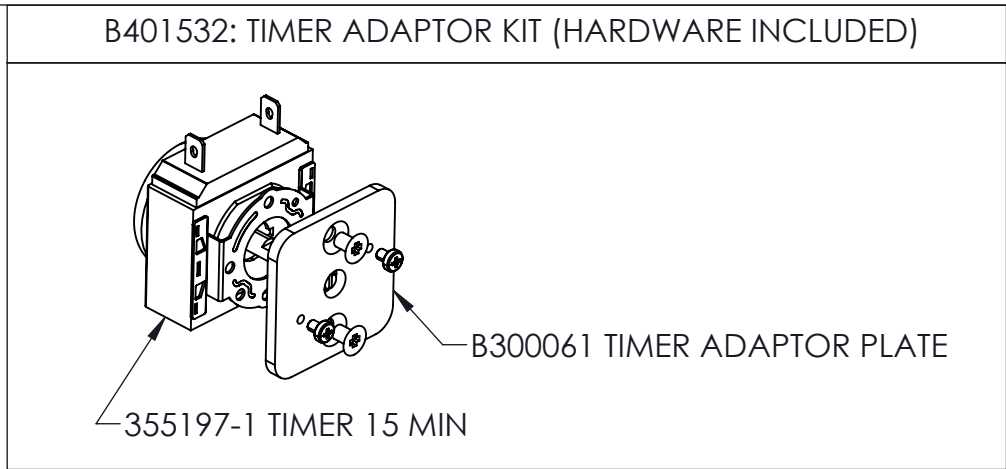


TIMER NOTE	
SERIAL NUMBER (YDDD)	TIMER
BEFORE O151	B401532
AFTER AND INCLUDING O151	355197-1



ITEM NO.	PART NUMBER	DESCRIPTION	QTY.
1	23066-3	PILOT - LIGHT, 250V	1
2	B300527	CM4 TOP COVER	1
3	B300530	CM4 RIGHT SIDE PANEL	1
4	B300531	CM4 LEFT SIDE PANEL	1
5	B300532	CM4 HEAT STANDOFF	1
6	B300535	CM4 ADJUST SHELF BRACKET RIGHT	2
7	B300537	CM4 ADJUST SHELF BRACKET LEFT	2
8	B300538	CM4 CATCH PAN	1
9	B300548	CM4 METAL TUBE RETAINER	3
10	B400303	LEG, 2 1/2" METAL, PLATED	4
11	B400321	STRAIGHT 12 GA STRAIN RELIEF BUSHING	1
12	B400384	CM4 WIRE RACK	1
13	B401051	CORD, POWER 12/3 60" 6-30P	1
14	B401060	CORD,FAN,HP-75.24-A	1
15	B401100	RESET SWITCH	1
16	B401107	SWITCH FAN CERAMIC	1
17	B401116	SWITCH, TOGGLE, ON/ON, 15A	1
18	1792510-2	SWITCH HARNESS - CM4	1
19	B401185	20" CONTROL KNOB	1
20	B401211	230V MOTOR, FAN	1
21	B401220	GUARD, FAN	1
22	B401462	CM4 W/ TIMER CONTROL OVERLAY	1
23	B403006	METAL ELEMENT 900W, 104V	4
24	17945-3	NUT - TOGGLE SWITCH	1
25	SEE TIMER NOTE	TIMER 15 MIN	1

