



**Project:**  
**Item Number:**  
**Quantity:**

## LIDSAVER™ 3 IN-COUNTER SINGLE LID AND CONDIMENT CUP DISPENSERS



LS03I models

LS03P models

LS03M models

### DESCRIPTION

LidSaver 3 dispensers offers true single-lid dispensing of cold drink, hot drink, tabbed, domes, contoured, slotted, gourmet coffee or soup cup lids.

LidSaver products meet FDA Food Code guidelines for preventing contamination.

### FEATURES

- Configured to dispense an exact lid
- Door remains in place when open past 120 degrees to simplify the loading process.
- Simple-to-use design allows customers to fill beverages and put on a lid using only one hand.
- Rugged ABS plastic
- In-counter installation
- LS03MS18B models can dispense mini lids and condiment size cups

### KITS TO CHANGE OR REPAIR A LIDSAVER

For details visit [www.vollrath.com](http://www.vollrath.com).

- RT300** Lid Change - Reconfigure a LidSaver to dispense a different lid.
- TU300** Tune-Up - Recondition a LidSaver to like new.
- CK100** Claw Kit - Replace worn out or damaged claws.

### AGENCY LISTINGS



Due to continued product improvement, please consult [www.vollrath.com](http://www.vollrath.com) for current product specifications.

### ITEMS

Base Item No. *	Fits Lid Diameter IN (CM)	Tube Length IN (CM)	Mounting Orientation
LS03IB-lid code	3¼ - 3¾" (8.3 - 9.5)	23 (58.4)	Horizontal
LS03IVB-lid code			Vertical
LS03IS18B-lid code		18 (45.7)	Horizontal
LS03PB-lid code	3 <sup>13</sup> / <sub>16</sub> - 4 <sup>3</sup> / <sub>4</sub> " (9.7 - 12.1)	23 (58.4)	Horizontal
LS03PVB-lid code			Vertical
LS03PS18B-lid code		18 (45.7)	Horizontal
LS03MS18B-lid code	1¾ - 3 <sup>3</sup> / <sub>16</sub> " (4.4 - 8.1)	18 (45.7)	Horizontal

Note: Base item numbers are not a complete item number. You must select the lid code suffix. See the lid code table below for examples and [vollrath.com](http://vollrath.com) for the full list.

(L) Lid			
Manufacturer Part No.	Code	Manufacturer Part No.	Code
Berry™ DLT1310 Domed	AB	Solo® 626	AZ
Berry™ DLT1310SS	AC	Solo® DL626	BB
Berry™ DLT1402 Domed	AD	Solo® DLR642	BC
Berry™ DLT1402SS	AE	Solo® LD16A	BD
Berry™ DLT1408 Domed	AF	Dart®/Solo® P150	M9
Berry™ DLT1408SS	AG	Dart®/Solo® PL2	N1
Dart® 16EL	AJ	Natureworks Inego PLA 3.085/.310	YQ
Dart® 16LCDH	AK	International Paper LCM-12S	D9
Dart® 16RCL	AL	International Paper LCWS12	XE
Dart® 16SL	AM	International Paper LCRS 12	EQ
Dart® 20SL	AN	International Paper LHSL-8	XK
Dart® 20SLR	AO	Pactiv YLP10C	ZD
Dart® 32SL	AP	Solo® L10BL	ST
Dart® 32SLR	AQ	Solo® PL4	ZN
Dixie® 9542	AR	Solo® TL3-8	IT
Dixie® 955	JY	Solo®TLRN38	ZM
Dixie® TP9542	AS	Sweetheart® DLX8R	GV
Dixie® TP9550	JZ	SUP-10D	YT
International Paper LCRS 32	AT	Quick 6 Oz. BIS-H	YH
International Paper LCTS 44	AU	WinCup® 6L STYROLID	VG
Sweetheart® LGX12R	AY		

Dart, Solo and Sweetheart are registered trademarks of Dart Container Corporation. Berry is a trademark of Berry Plastics Corporation. Dixie is a registered trademark of Georgia-Pacific. International Paper is a registered trademark of International Paper.

**NOTE:** LidSaver items are custom products and are non-returnable.

Approvals	Date



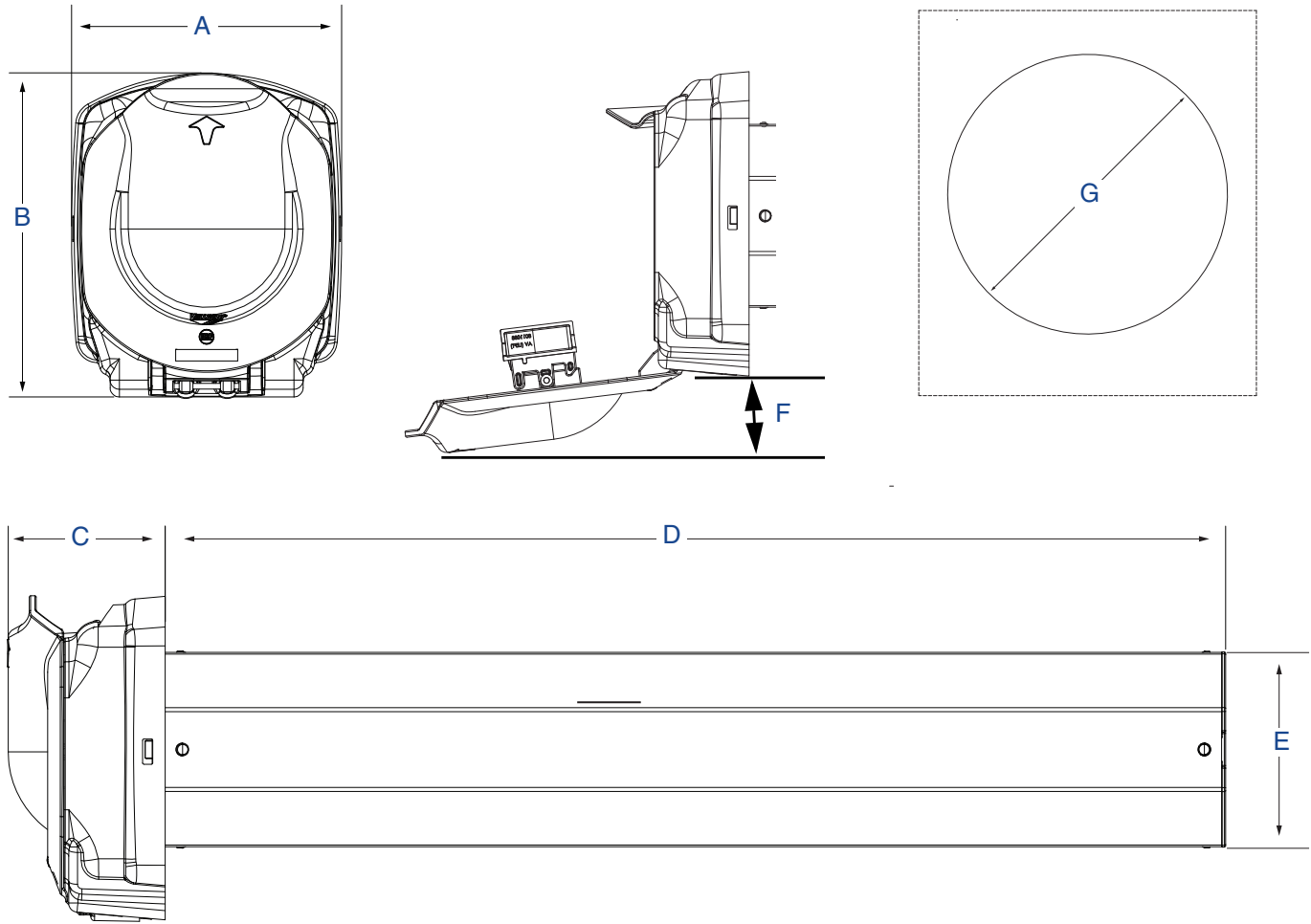
[www.vollrathfoodservice.com](http://www.vollrathfoodservice.com)

**The Vollrath Company, L.L.C.**  
 1236 North 18th Street  
 Sheboygan, WI 53081-3201 U.S.A.  
 Main Tel: 800.624.2051 or 920.457.4851  
 Main Fax: 800.752.5620 or 920.459.6573  
 Customer Service: 800.628.0830  
 Canada Customer Service: 800.695.8560

Technical Services  
[techservicereps@vollrathco.com](mailto:techservicereps@vollrathco.com)  
 Induction Products: 800.825.6036  
 Countertop Warming Products: 800.354.1970  
 All Other Products: 800.628.0832

# LIDSAVER™ 3 IN-COUNTER SINGLE LID AND CONDIMENT CUP DISPENSERS

## DIMENSIONS (Shown in inches (cm))



Item	Fits Lid Diameter	Mounting Orientation	Dimensions IN (CM)						
			Face		(C) Housing Extension From Counter	(D) Tube Length IN (CM)	(E) Tube Diameter	(F) Clearance For Door to Open	(G) Cutout Diameter
			(A)	(B)					
LS03IB-lid code	3¼ - 3¾	Horizontal	5⅞ (14.9)	7⅛ (17.9)	3½ (8.9)	23 (58.4)	4⅞ (10.5)	1⅕ (4.9)	5½ (14)
LS03IBV-lid code		Vertical				18 (45.7)			
LS03IS18B-lid code		Horizontal				18 (45.7)			
LS03PB-lid code	3⅓ - 4¾	Horizontal	4⅞ (14.9)	5⅞ (14.3)	3¼ (8.9)	23 (58.4)	5¼ (13.3)	1⅕ (4.9)	5½ (14)
LS03PVB-lid code		Vertical				18 (45.7)			
LS03PS18B-lid code		Horizontal				18 (45.7)			
LS03MS18B-lid code	1¾ - 3⅓	Horizontal	4⅞ (12.5)	5⅞ (14.3)	3¼ (8.9)	18 (45.7)	3⅞ (9.2)	1⅕ (3.3)	4⅞ (10.3)

\*When mounting a LidSaver™ dispenser above a lateral surface (such as a shelf extending straight out from the countertop face) these must be followed to allow clearance for the dispensing door to fully open.



[www.vollrathfoodservice.com](http://www.vollrathfoodservice.com)

**The Vollrath Company, L.L.C.**

1236 North 18th Street  
 Sheboygan, WI 53081-3201 U.S.A.  
 Main Tel: 800.624.2051 or 920.457.4851  
 Main Fax: 800.752.5620 or 920.459.6573  
 Customer Service: 800.628.0830  
 Canada Customer Service: 800.695.8560

Technical Services  
[techservicereps@vollrathco.com](mailto:techservicereps@vollrathco.com)  
 Induction Products: 800.825.6036  
 Countertop Warming Products: 800.354.1970  
 All Other Products: 800.628.0832