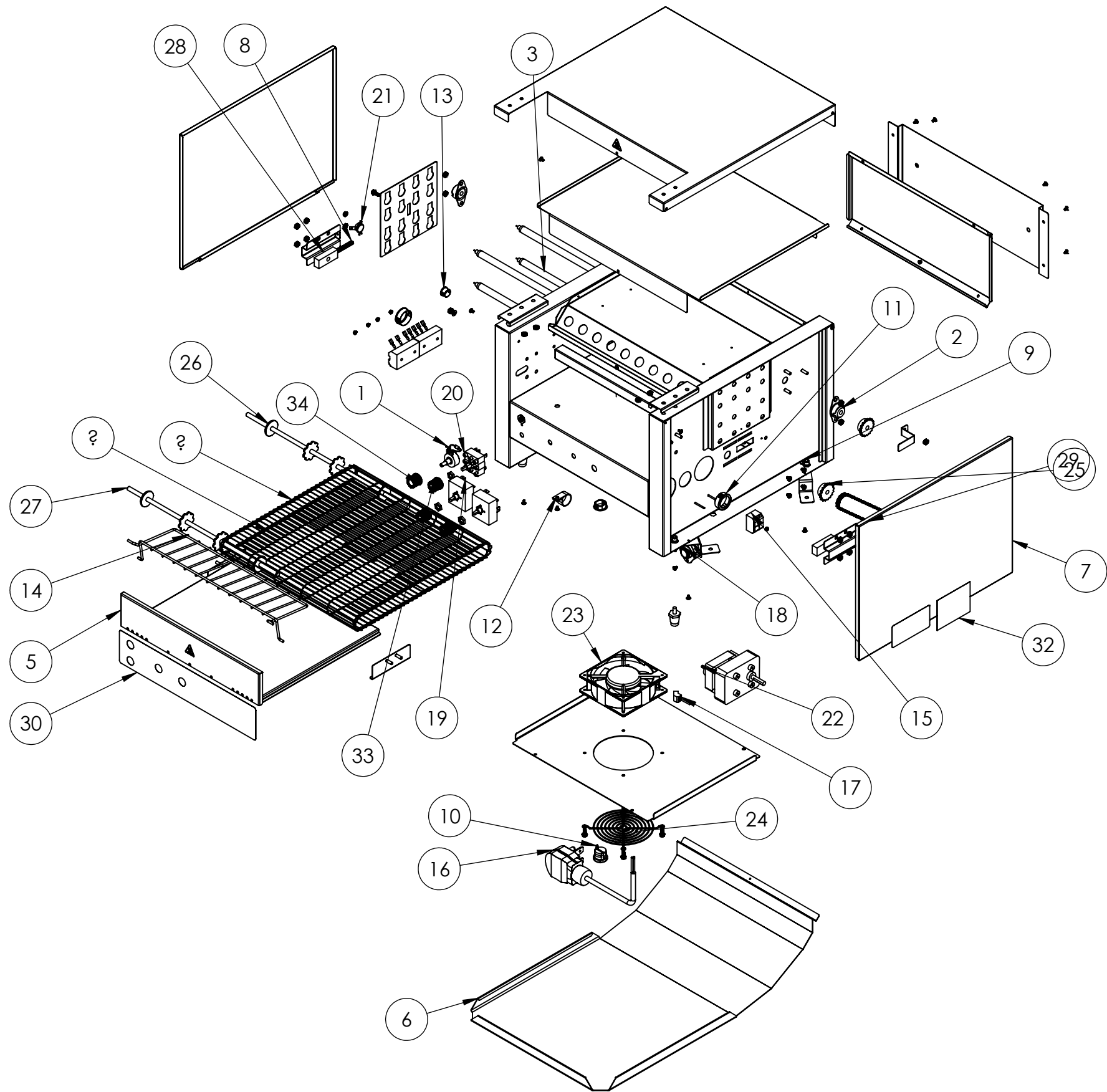




CONVEYOR TOASTER 4-1000 230V EU-UK



ITEM NO.	PART NUMBER	DESCRIPTION	QTY.
1	B200901	CONTROL, SPEED 500 OHM CT4	1
2	B201100	BEARING ASSEMBLY 5/16"	2
3	59841	HEATER TUBE 15-3/8 120V 900W	4
4	B204277	WIRE CONVEYOR BELT, 14.5" X 29.5"	1
5	B204278	CT4 18" CRUMB TRAY ASSM	1
6	B300013	CT4 18" TOAST CHUTE	1
7	B300037	CT4 SIDE PANEL	2
8	B400260	SPRING, .038" DIA, 2.462" LENGTH	2
9	B400300	LEGS, BLACK 1" 1/4-20	4
10	B400321	STRGHT 12 GA STRAIN RLF BSHNG	1
11	B400330	1 1/4" SNAP BUSHING	2
12	B400331	7/8 WIRE CLAMP	1
13	B400332	5/8 SNAP BUSHING	1
14	B400382	LOAD-UP RACK WIRE CT4	1
15	B401034	TERMINAL BLOCK 2 POSIITON	1
16	B401051	CORD, POWER 12/3 60" 6-30P	1
17	B401060	CORD,FAN,HP-75.24-A	1
18	B401100	RESET SWITCH	1
19	B401102	SWITCH, 240V	2
20	B401103	SWITCH, ROTARY POWER SAVER	1
21	B401107	SWITCH FAN CERAMIC	1
22	B401201	DRIVE MOTOR 208/240V RMS 344	1
23	B401211	MOTOR, FAN	1
24	B401220	GUARD, FAN	1
25	B401300	SPROCKET, 25B17-8MM	2
26	B401342	SHAFT, DRIVE, 14.5" JT3/JT4	1
27	B401343	SHAFT, IDLER, 14.5" JT3	1
28	B401350	FRONT SPRING BEARING	2
29	B401388	DRIVE CHAIN, LADDER 15"	1
30	B401402	CT4 18" CONTROL LABEL	1
31	B401404	CORD WARNING LABEL	1
32	B401425	CT4 RESET LABEL	1
33	B405018	SILVER PUSH-ON KNOB	3
34	B405019	SILVER PUSH-ON KNOB W/ SET SCREW	1