

Valve Installation Procedures

These instructions have been put together to assist in installing a valve in a Vollrath Urn.

VALVE INSTALLATION PROCEDURES

When no longer needed, dispose of all packaging and materials in an environmentally responsible manner.

1. Remove all packing material and tape, as well as any protective plastic from the equipment.
2. Clean any glue residue left over from the plastic or tape.
3. Thoroughly wash and dry the urn and valve components.
4. Hold the valve (J) and slide one of the washers (B) over the threads of the valve. See Figure 1.

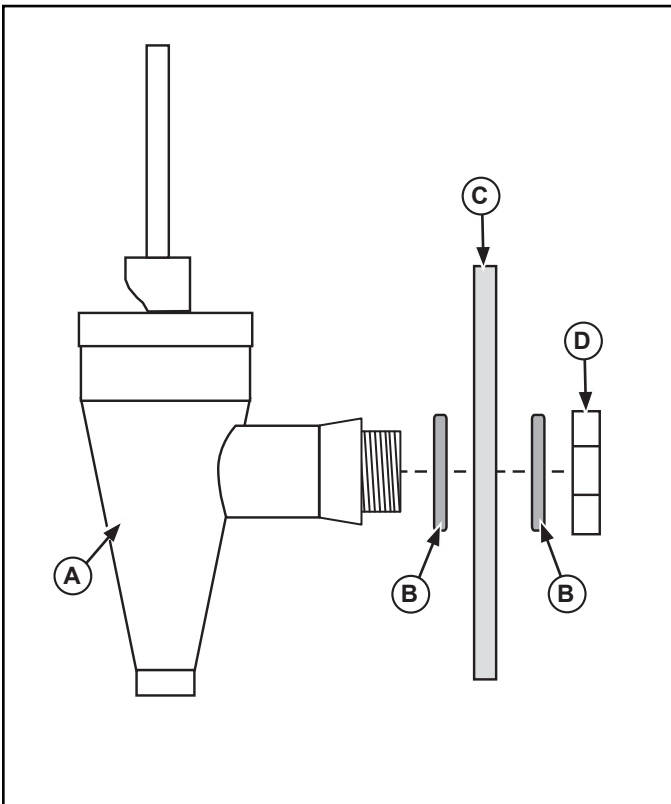


Figure 1. Valve Installation Components.

5. Slide the valve (A) and washer (B) through the urn (C).
6. Slide the other washer (B) over the threads of the valve (A).
7. Rotate the valve (A) so that it points to the spout points to the bottom and tighten the nut (D) with a wrench.