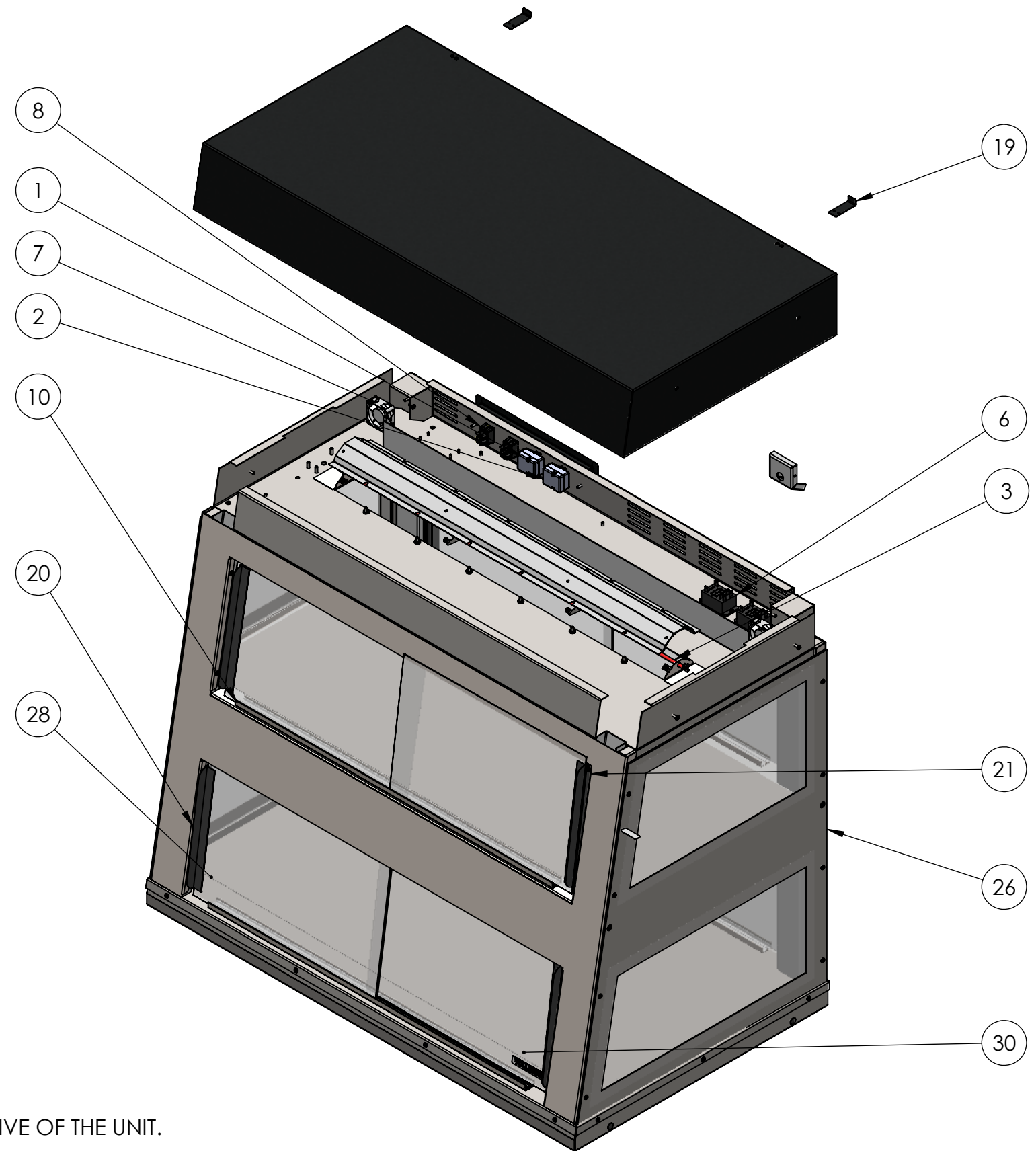


ITEM NO.	PART NUMBER	DESCRIPTION	QTY
1	356818-1	REGULATING THERMOSTAT 90C	1
2	356819-1	REGULATING THERMOSTAT 100C	1
3	1791528-1	HEATING ELEMENT SIZE 36 RED	2
4	2351601-1	HEAVY DUTY 4" LEG	4
5	353200-1	HOT HOLDING THERMOMETER	2
6	351310-1	RELAY	2
7	351486-1	FAN, 12VDC, 50MM X 50MM X 20MM	2
8	352774-1	RECT POWER SWITCH 240V DPST	2
9	351788-06-1	CONTROL KNOB- - HEAT STRIP	2
10	353119-1	FMA DOOR TRACK, BK HFM-36	4
11	B400320	14 GA STRAIGHT STRAIN RELIEF	1
12	B401050	CORD,POWER,14/3,60" 6-20 PLUG	1
13	RDC0145	POWER FOR LED	1
14	355549-2	CHANNEL COVER UPPER LEFT - HCM	1
15	355550-2	CHANNEL COVER LOWER LEFT - HCM	1
16	355562-2	CHANNEL CVR LOWER RIGHT - HCM	1
17	356612-2	CONTROL BEZEL - HCM BLK	1
18	355623-2	CHANNEL CVR UPPER RIGHT - HCM	1
19	356613-2	TONG HOLDER - HCM BLK	2
20	355619-1	GLASS REAR HANDLE - HCM	8
21	355620-1	DOOR TRIM SEAL - HCM	4
22	355625-1	LED - HCM-3	4
23	356817-1	OVERLAY-HHM	1
24	356284-1	HHM OPERATOR MANUAL	1
25	356239-1	SHELF HEATER VHB TAPE SPARE	1
26	356378-2	RIGHT PANEL SPARE - HCM	1
27	356379-2	LEFT PANEL SPARE - HCM	1
28	356380-2	REAR GLASS SPARE - HCM-3	6
29	356383-2	SHELF HEATER SPARE - HCM-3	2
30	356815-2	REAR GLASS SPARE-LOGO 3P	2
31	60200	WIRE RACK SPARE	6
32	60076	DOOR LOCK WITH KEY	4



NOTES:

- RIGHT AND LEFT DIRECTIONS ARE GIVEN FROM THE CUSTOMER FACING PERSPECTIVE OF THE UNIT.
- ITEMS 353200-1, 355929-1, 356239-1, 60200, 60076 NOT SHOWN

