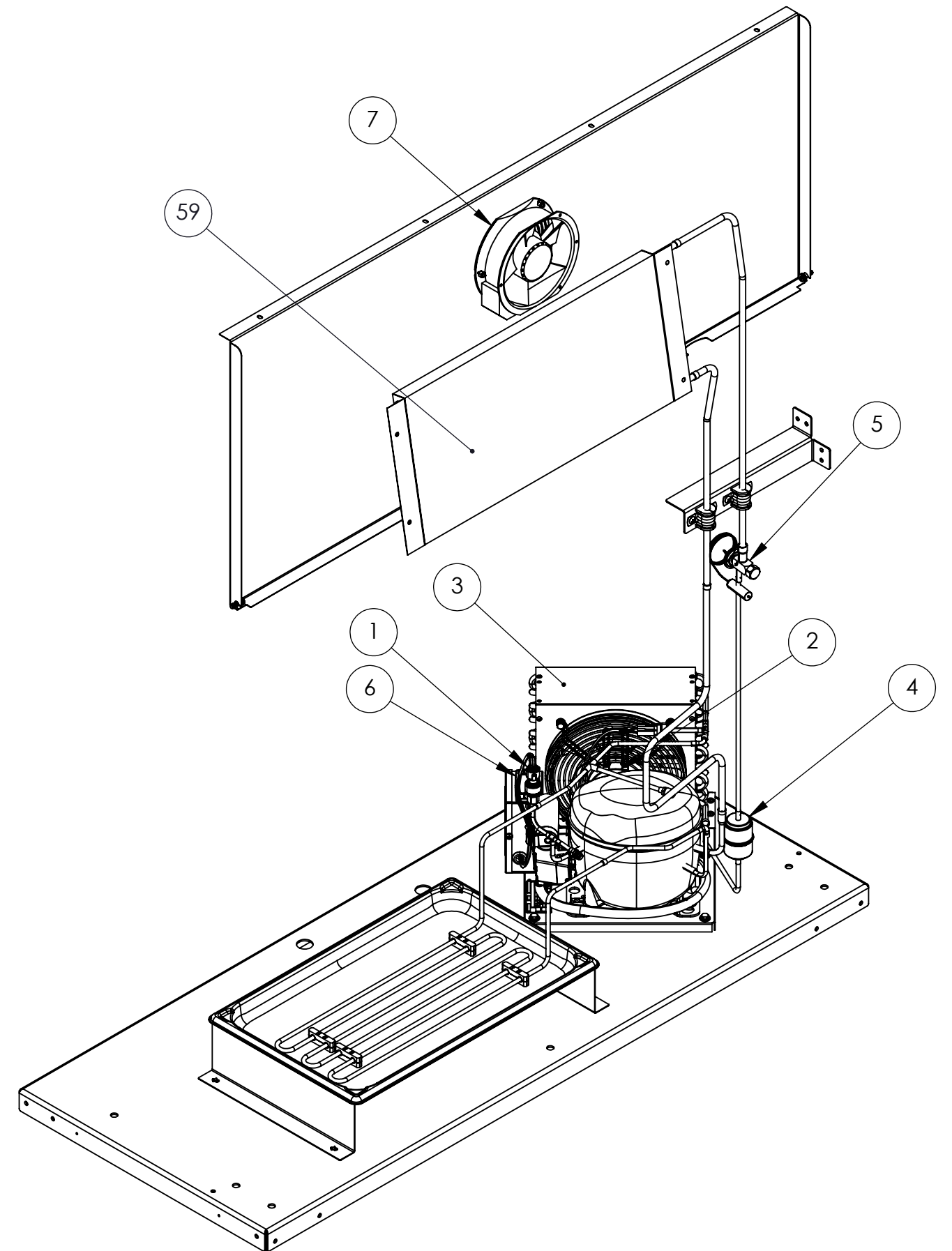


# REFRIGERATION COMPONENTS

ITEM NO.	PART NUMBER	DESCRIPTION	QTY.
1	353828-1	LOW SIDE PRESSURE TRANSDUCER	1
2	353829-1	CONDENSING FAN MOTOR	1
3	SEE TABLE	R-513A CONDENSING UNIT	1
4	351333-1	FILTER DRIER	1
5	354498-1	THERMOSTATIC EXPANSION VALVE	1
6	SEE TABLE	CONDENSING UNIT CONTROL	1
7	357036	EVAPORATOR FAN, 120V	1
59	355018	EVAPORATOR COIL	1
NOT SHOWN	353831-1	KIT, ELECTRIC PARTS (START CAPACITOR, START RELAY, PROTECTOR)	1



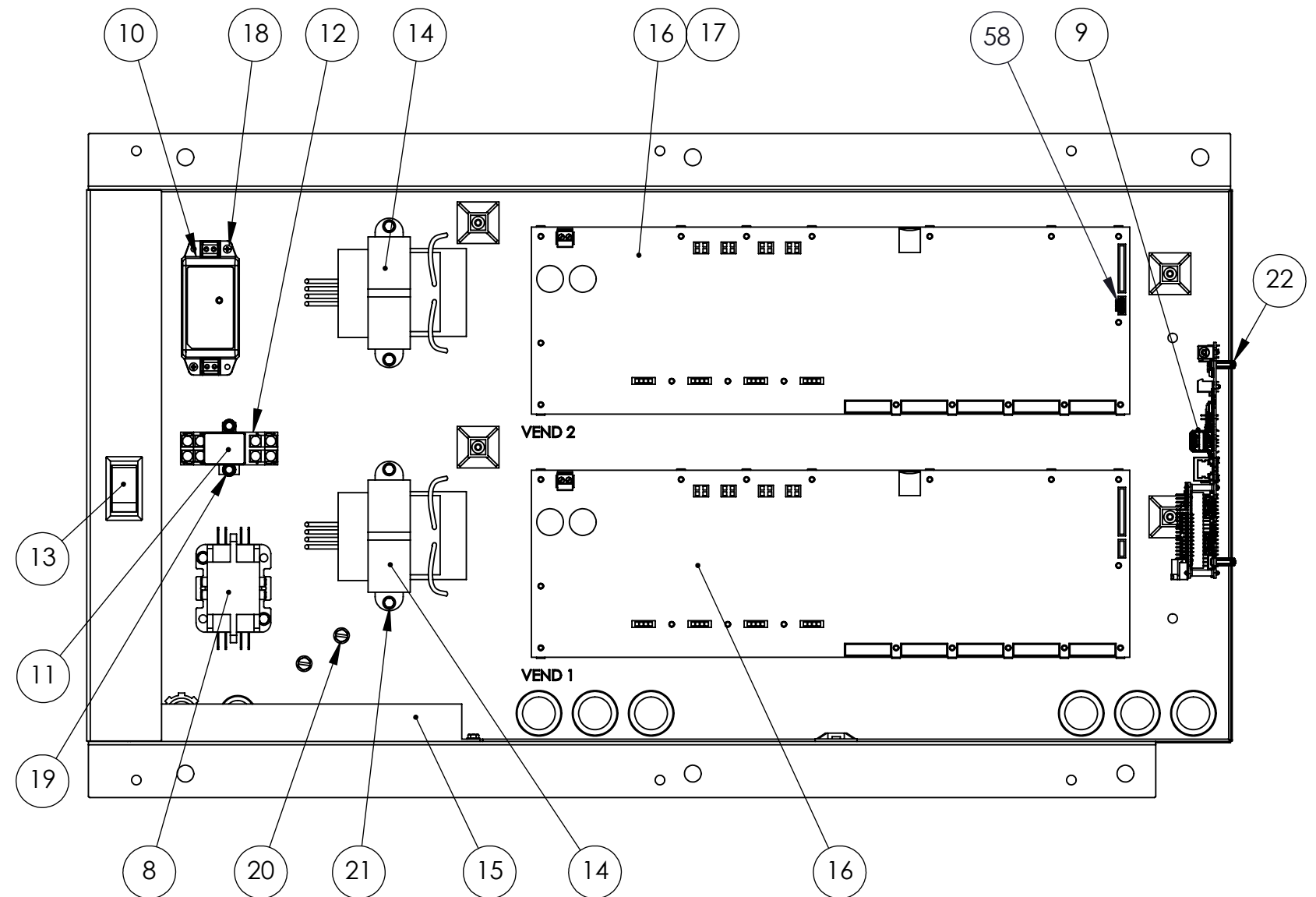


ITEM NUMBER	S/N BREAK INFORMATION		ORIGINAL BOM ITEM NUMBER	SERVICE KIT (if applicable)	DESCRIPTION
	INCLUDING AND AFTER S/N	UP TO BUT EXCLUDING S/N			
3		O298-01763378-004	353108-1	353108-SV	R513A CON UNIT 1/5HP EMBRACO
	O298-01763378-004		354706-1	354706-SV	R513A CON UNIT 1/5HP EMBRACO
6		O298-01763378-004	351898-1	354783-2	CONTROLLER - ELECT UNIT
	O298-01763378-004		333333-1	333333-SV	CONTROLLER - M6000

# ELECTRONIC CONTROL COMPONENTS

ITEM NO.	PART NUMBER	DESCRIPTION	QTY.
8	295287	CONTACTOR, REFRIGERATION	1
9	297703	I3 CONTROLLER	1
10	593104	12VDC POWER SUPPLY	1
11	618565	RELAY COIL	1
12	688082	RELAY SOCKET	1
13	718192	SWITCH, ROCKET - ON/OFF	1
14	744008	TRANSFORMER, 120/24 VAC	2
15	9956024-5	24VDC POWER SUPPLY	1
16	2210802	VENDING CONTROL BOARD	2
17	354732-1	VENDING CONTROL BOARD STANDOFF	36
58	431263	CAN-BUS TERMINATION RESISTOR	1
NOT SHOWN	431433	IR SENSOR CABLE	8
NOT SHOWN	431434	MOTOR CABLE	8
NOT SHOWN	431465	CAN-BUS CABLE, VEND 1 TO I3 CONTROLLER	1
NOT SHOWN	431466	CAN-BUS CABLE, VEND 2 TO VEND 1	1

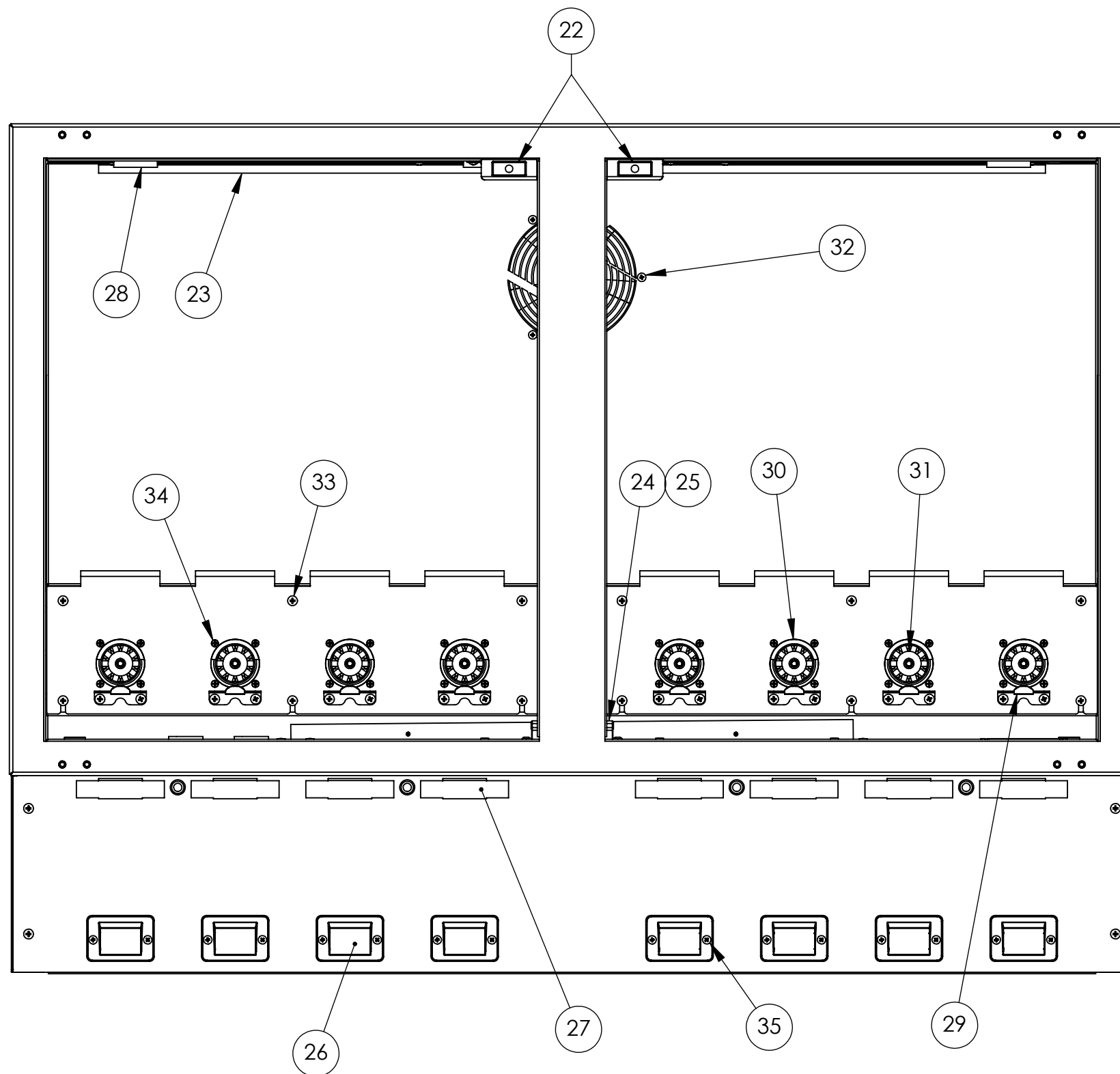
HARDWARE (GENERAL SPECIFICATION)		
18	MACHINE SCREW, #4-40 X 5/8"	2
19	SHEET METAL SCREW, #8-18 X 1"	2
20	GROUND SCREW, #10-24, GREEN	2
21	SHEET METAL SCREW, #8-18 X 1/2"	8
22	MACHINE SCREW, M2.5 X 5.0MM	4



# CABINET COMPONENTS

ITEM NO.	PART NUMBER	DESCRIPTION	QTY.
22	718382	DOOR SWITCH	2
23	354205-1	CABINET LIGHT	1
24	736084	THERMOMETER	1
25	584212	THERMOMETER CLIP	2
26	2210743	IR SENSOR ASSEMBLY	8
27	354204	DISPENSING LIGHT	8
28	266089	LIGHT CLIP	11
29	2210635	CANISTER SPRING LATCH	8
30	2210627	MOTOR COLLAR	8
31	2210757	MOTOR SUBASSEMBLY	8
NOT SHOWN	396482	DOOR GASKET	2

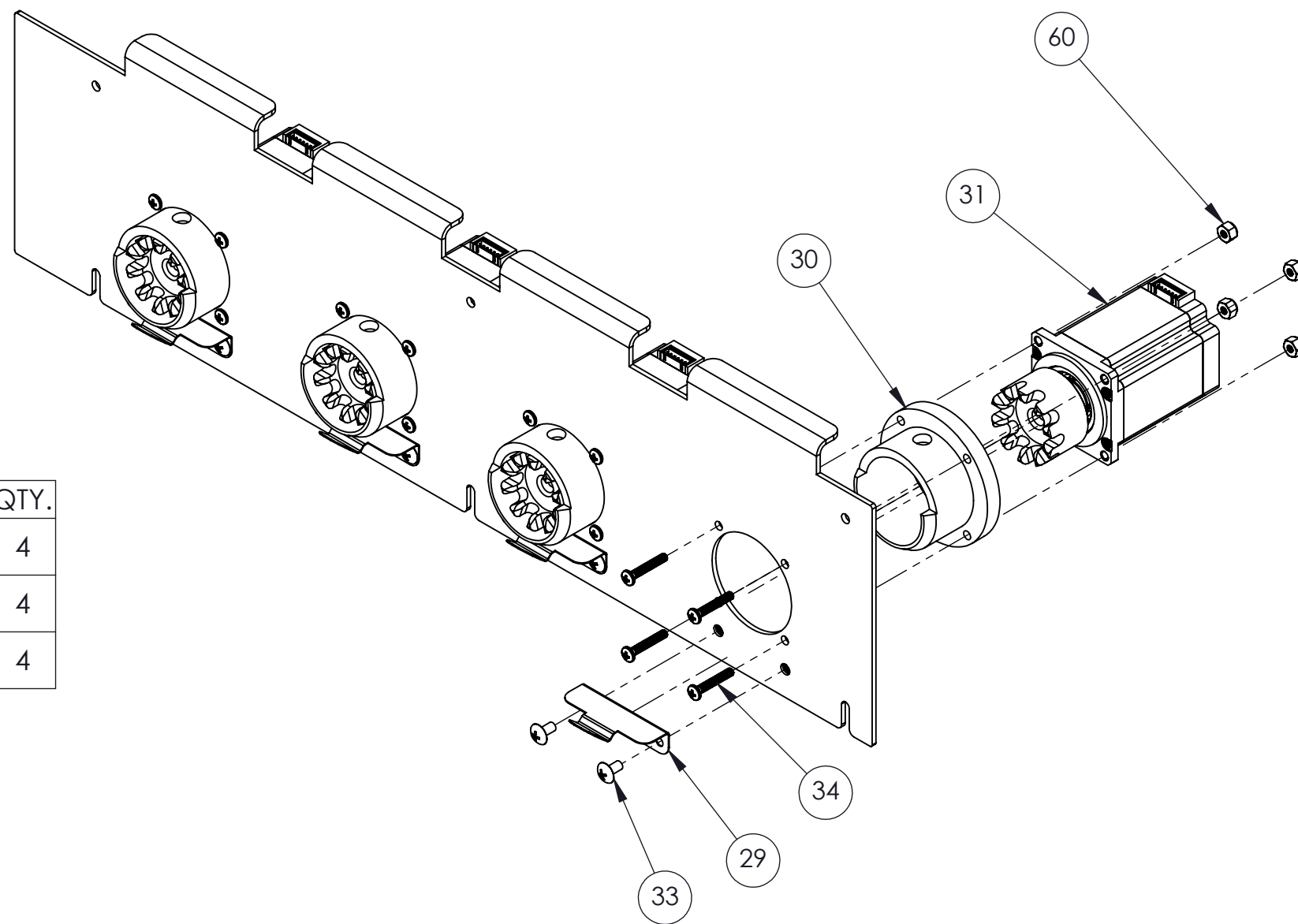
HARDWARE (GENERAL SPECIFICATION)		
32	MACHINE SCREW, #8-32 X 3/4", STAINLESS STEEL	3
33	MACHINE SCREW, #10-32 X 3/8", STAINLESS STEEL	38
34	MACHINE SCREW, #8-32 X 1", STAINLESS STEEL	32
35	MACHINE SCREW, #8-32 X 3/8", STAINLESS STEEL, BLACK	16



# MOTOR AND RELATED COMPONENTS

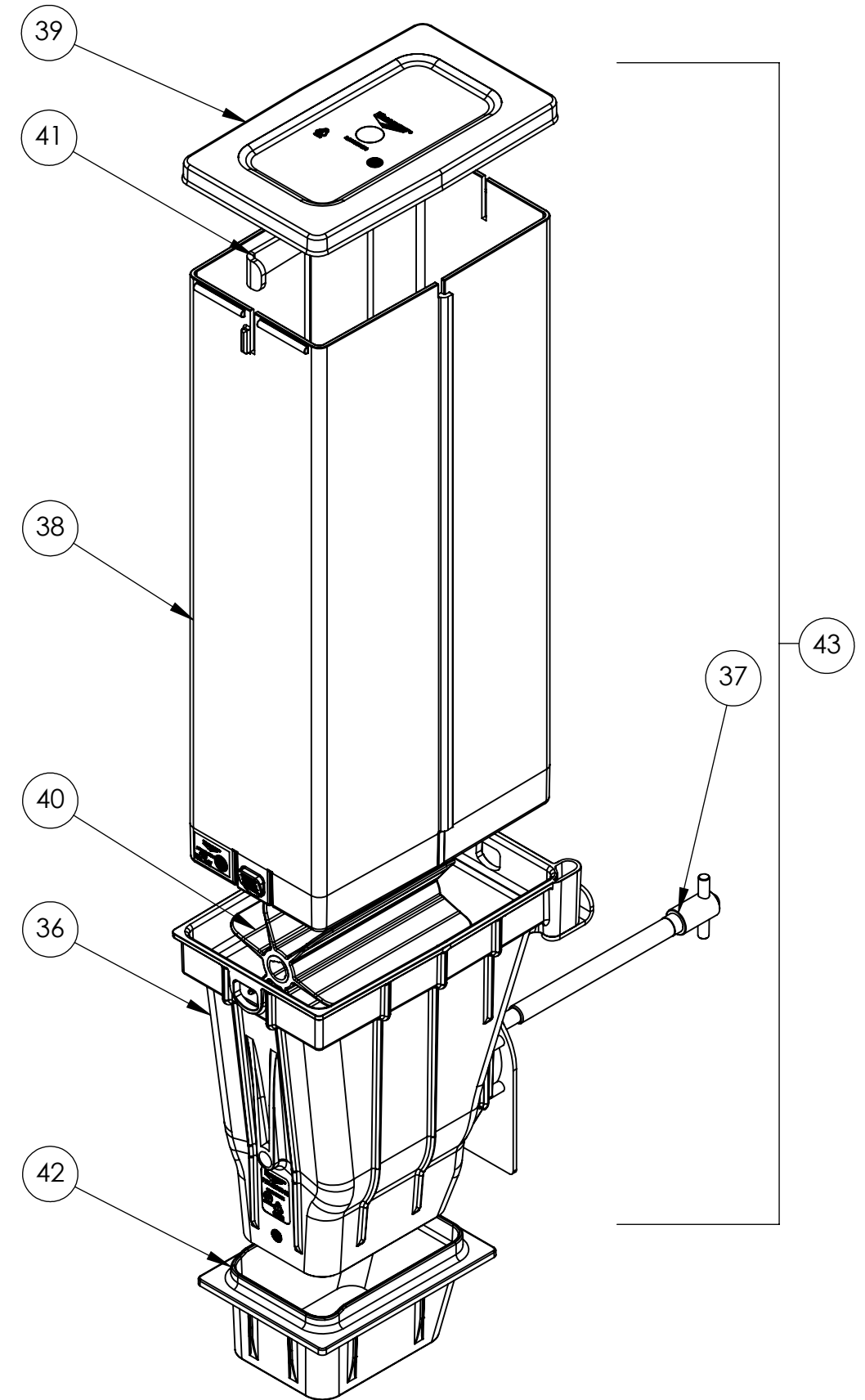
ITEM NO.	PART NUMBER	DESCRIPTION	QTY.
29	2210635	CANISTER SPRING LATCH	4
30	2210627	MOTOR COLLAR	4
31	2210757	MOTOR SUBASSEMBLY	4

HARDWARE (GENERAL SPECIFICATION)		
33	MACHINE SCREW, #10-32 X 3/8", STAINLESS STEEL	8
34	MACHINE SCREW, #8-32 X 1", STAINLESS STEEL	16
60	NYLON LOCKNUT, #8-32, STAINLESS STEEL	16



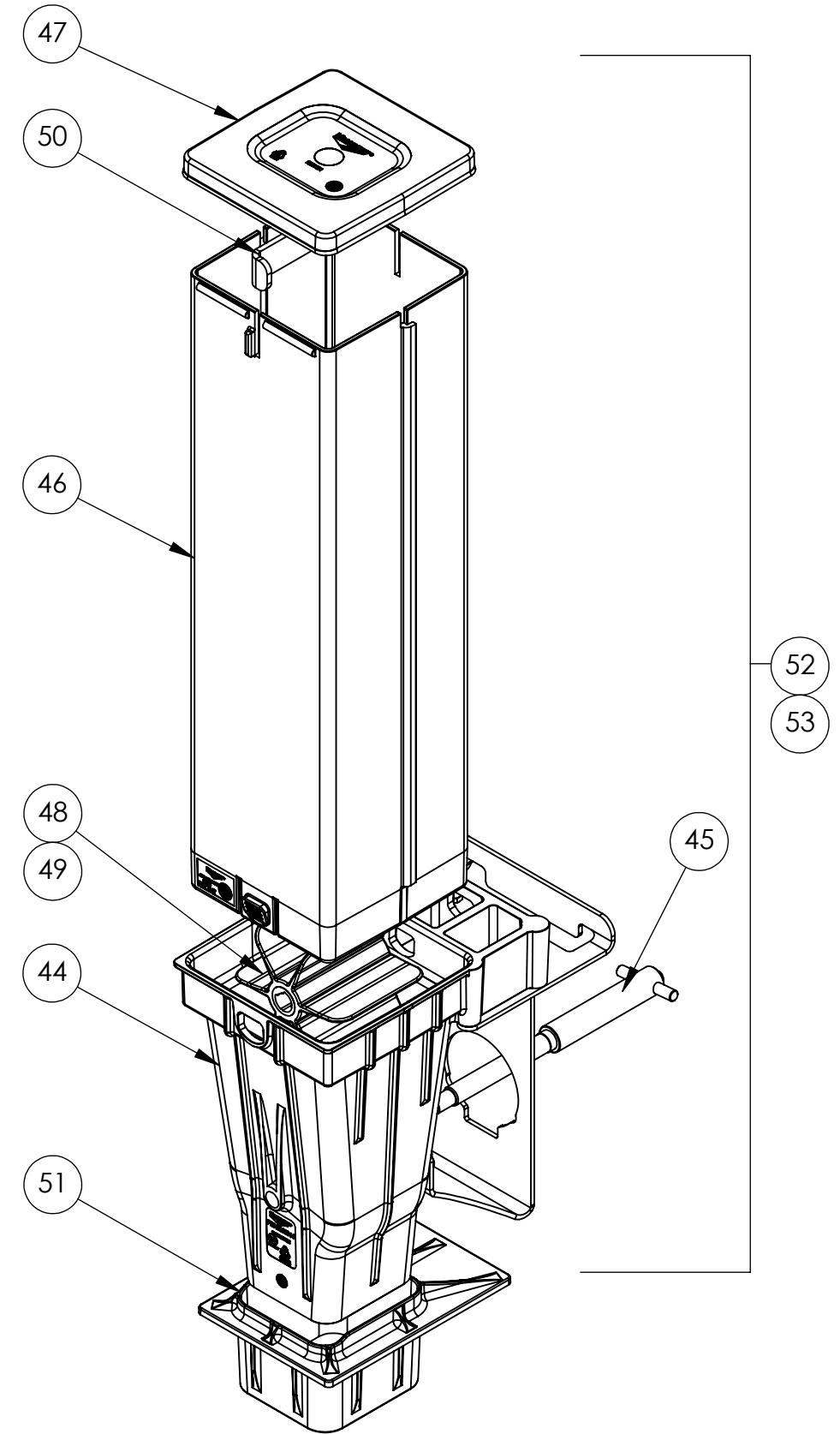
# LARGE CANISTER COMPONENTS

ITEM NO.	PART NUMBER	DESCRIPTION	QTY.
36	2210641	LARGE FUNNEL ASSEMBLY	1
37	2210647	LARGE CANISTER SHAFT	1
38	2210701	LARGE CLEAR TUBE	1
39	2210690	LARGE CANISTER COVER	1
40	2210787	LARGE PADDLE WHEEL	1
41	2210739	LARGE CANISTER AGITATION ROD	1
42	2210785	LAGRGE CANISTER ADAPTER	1
43	2210791	LARGE CANISTER ASSEMBLY W/6-PADDLE WHEEL	-



## SMALL CANISTER COMPONENTS

ITEM NO.	PART NUMBER	DESCRIPTION	QTY.
44	2210643	SMALL FUNNEL ASSEMBLY	1
45	2210645	SMALL CANISTER SHAFT	1
46	2210702	SMALL CLEAR TUBE	1
47	2210691	SMALL CANISTER COVER	1
48	2210788	SMALL PADDLE WHEEL, 6 BLADE	1
49	2210789	SMALL PADDLE WHEEL, 10 BLADE	1
50	2210738	SMALL CANISTER AGITATION ROD	1
51	2210786	SMALL CANISTER ADAPTER	1
52	2210792	SMALL CANISTER ASSEMBLY W/6-PADDLE WHEEL	-
53	2210793	SMALL CANISTER ASSEMBLY W/10-PADDLE WHEEL	-



# TOUCH SCREEN COMPONENTS

ITEM NO.	PART NUMBER	DESCRIPTION	QTY.
54	2210865	SCREEN BEZEL, SIDE A	1
55	2210864	SCREEN BEZEL, SIDE B	1
56	332583	7IN HMI DISPLAY	1
NOT SHOWN	229311	CABLE, USB A TO MICRO, 6FT	1
NOT SHOWN	229310	CABLE, HDMI MALE TO MALE, 6FT	1

HARDWARE (GENERAL SPECIFICATION)		
57	SCREW, THREAD CUTTING, #8-18 X 1/2"	8

