




Operator's Manual

Medium-Duty 15 Lb. Electric Countertop Fryers with Drain

	⚠ WARNING
	Fire, Injury, Death Hazard
	Correct precautions, procedures and regulations for usage must be followed. Operation and safety training is necessary for all users of this equipment.

Thank you for purchasing this Vollrath equipment. Before operating the equipment, read and familiarize yourself with the following operating and safety instructions. **SAVE THESE INSTRUCTIONS FOR FUTURE REFERENCE.** Save the original box and packaging. Use this packaging to ship the equipment if repairs are needed.

Safety Precautions

To ensure safe operation, read the following statements and understand their meaning. This manual contains safety precautions which are explained below. Please read carefully.

⚠ WARNING

Warning is used to indicate the presence of a hazard that will or can cause severe personal injury or death.

⚠ CAUTION

Caution is used to indicate the presence of a hazard that will or can cause minor or major personal injury if the caution is ignored.

NOTICE: Notice is used to note information that is important but not hazard-related.

To reduce risk of injury or damage to the equipment:

- Do not operate unattended.
- Unit must be only used in a flat, level position.
- Change oil regularly or as necessary. Old or dirty oil has a lower flash point than clean oil.
- Fill oil to correct level. Do not over fill.
- Do not overfill basket. Do not fill basket more than half full.
- Hot oil is flammable - keep open flames away from hot oil and oil vapors.
- The unit and oil may be hot even though the ready light is not on.
- Do not operate unit in public areas and/or around children.
- Do not operate if unit has been damaged or is malfunctioning in any way.
- Do not tamper with the Safe Operation Switch or Over Temperature Protection Switch.
- Unplug the unit, turn off and let it cool before cleaning or moving.
- Do not spray controls or outside of unit with liquids or cleaning agents.
- Do not clean the unit with steel wool.
- Dispose of oil in an environmentally responsible manner.



Item No.	Model No.	Description	Watts	Volts
CF4-3600	FFA8115	Countertop Fryer, 15 lb.	2700-3600	208-240
CF4-3600-C	FFA8115-C			
CF4-3600DUAL	FFA8130	Dual Countertop Fryer, 2 x 15 lb.	2700-3600	208-240
CF4-3600DUAL-C	FFA8130-C			

Note: Each fryer head requires a dedicated circuit and the electrical ratings are per circuit.

FUNCTION AND PURPOSE

This equipment is intended to be used for deep frying foods in commercial foodservice operations only. It is not intended for household, industrial or laboratory use.

Table of Contents

Codes and Requirements	page 2
Features and Controls	page 2
Before First Use	page 2
Operation	page 3
Cleaning	page 5
Troubleshooting	page 6

CODES AND REQUIREMENTS

	WARNING
	Fire, Injury, Death Hazard
	This equipment must be installed by a qualified installer in accordance with all federal, state and local codes. Failure to install this equipment properly can result in injury or death.

Applicable Codes and Standards

United States

Vollrath recommends all commercial cooking equipment be provided with a ventilation system in compliance with NFPA96.

- Cooking equipment that uses or produces grease (e.g. fryer, griddle), must be provided with hoods that are designed to capture grease and provide fire protection.
- Equipment must be installed in accordance with the requirements and approval of the AHJ "Authority Having Jurisdiction."

Clearance Requirements

- Minimum clearance from combustible construction: 6" (15 cm) from the sides and back of the fryer
- Minimum clearance from surface flames from adjacent equipment: 16" (40.6 cm)

Environment Requirements

- Do not install under combustible materials.
- Should be installed under a hood in accordance with the latest edition of the Standard for Ventilation Control and Fire Protection of Commercial Cooking Operations, NFPA 96.
- Locate the fryer in a place where it cannot be pushed off the countertop.
- Keep the area surrounding the fryer clear of combustible materials.
- Keep the area at the front of the fryer clear for unobstructed access during operation.
- Do not place adjacent to a heat producing appliance.

Electrical Requirements

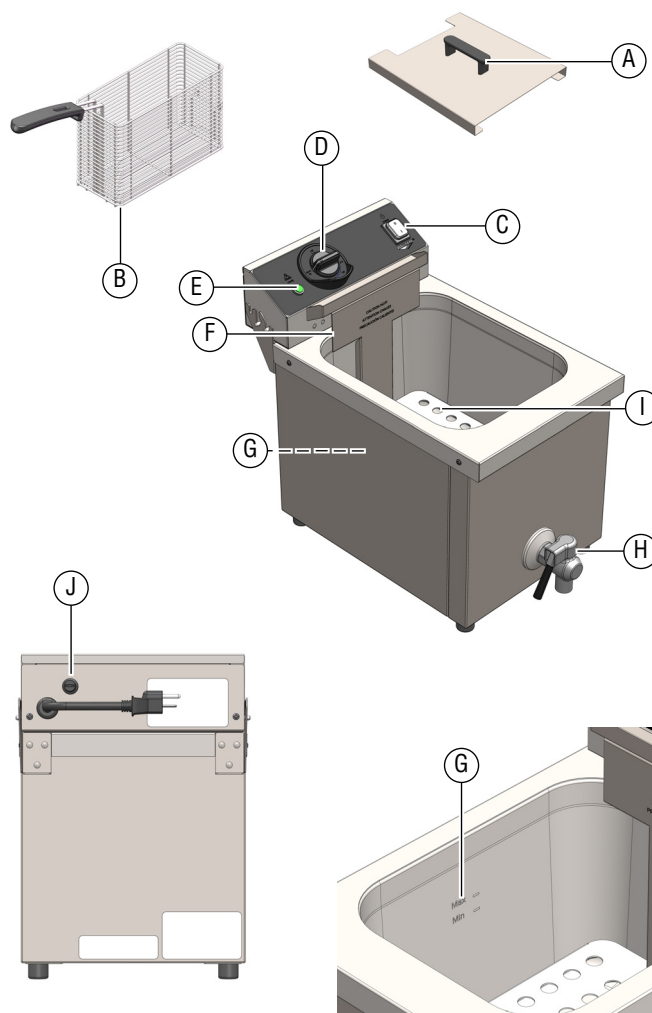
- Each fryer head requires a dedicated circuit. Some models are supplied with two individual power cords. Each cord must be plugged into a dedicated circuit that matches the rating on the nameplate found on the back of the fryer.

BEFORE FIRST USE

Clean the Equipment

This equipment must be cleaned prior to use. Failure to clean surfaces before using the unit could cause food contamination. See "Cleaning" in this manual.

FEATURES AND CONTROLS



- A Night Cover.** Covers the well and oil when the fryer is not in use.
- B Baskets.** Hold the food to be fried.
- C On/Off Switch.** Illuminates when the switch is on the ON position.
- D Temperature Control Dial.** Set the temperature of the oil.
Standby Mode. Turns off the heating element. Note: In this mode the ready light will also illuminate.
- E Ready Light.** Illuminates when oil has reached the set temperature.
- F Basket Hook.** Holds the basket to allow excess oil to drain from food.
- G Maximum Oil Level.** Do not fill with oil above this mark because this may cause oil to overflow the well after the basket of food has been added.
Minimum Oil Level. Do not operate with oil below this level as the oil may overheat and could ignite, causing a fire.
- H Drain Valve.** Drains the oil.
- I Heating Element.** Heats the oil.
- J Over Temperature Reset Switch.** Refer to the Troubleshooting section.

OPERATION



⚠ WARNING

Fire Hazard

Overheated oil or oil vapors can ignite causing a fire. Monitor oil temperature, quality and level. Heat oil carefully. If oil smokes, reduce heat. Do not leave unit unattended. If fire occurs, turn unit off, cover until cool. Do not put water on hot or flaming oil. Do not operate with oil below low oil mark. Dirty oil has a lower flash point. Replace oil on a regular basis. Maintain correct oil level. Use an oil vapor removal system (hood) to reduce oil and grease buildup on wall or ceiling surfaces.

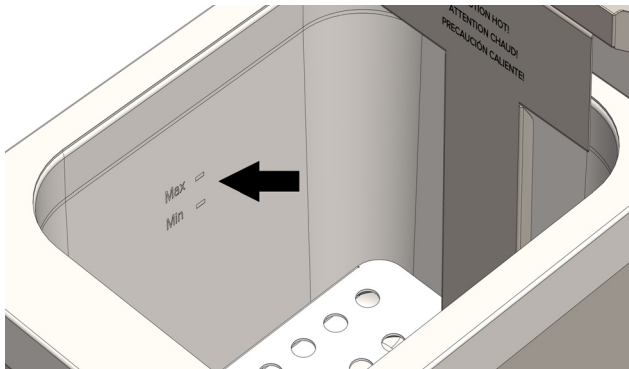
NOTICE: Do not operate the fryer with the night cover(s) over the well(s).

Add Oil to the Wells

NOTICE: Do not pour oil into an empty well when the fryer is hot.

Tips:

- Use a high quality oil that does not break down quickly. For example corn or peanut oil.
 - Strain oil daily.
 - Add fresh oil as necessary to maintain the oil level.
1. Before each use, check the oil level in each well to make sure it is between the minimum and maximum fill lines.



2. Verify the drain valve(s) are in the closed position.



3. If oil needs to be added, remove baskets from well. Add oil or shortening to well until the oil is between the minimum and maximum fill lines. DO NOT overfill the well.

NOTICE: Melt shortening at 125°F. Melting shortening at temperatures above 125°F may trip the high limit control. After shortening has melted, set the dial to the frying temperature.

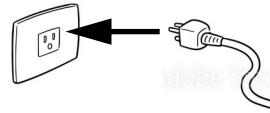
Pre-Heat the Oil


For dual fryers, each well operates independently and may be set to different temperatures.

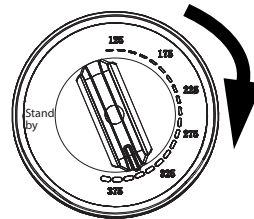
Note: The fryer head must be in the down position. If it is not, the fryer will not heat.

1. Plug the fryer into a grounded electrical outlet that matches the rating on the nameplate found on the back of the fryer.

NOTICE: Using a voltage other than the nameplate rated voltage will cause damage to the unit. Incorrect voltage, modification to the power cord or electrical components can damage unit and will void the warranty.

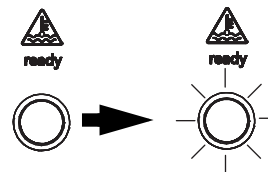


2. Press  to turn on the fryer. The switch will illuminate.
3. Rotate the dial to desired temperature.




Food	Suggested Temperature
French fries	375°
Waffle fries	
Potato chips	
Tater Tots®	
Onion rings	350°
Chicken wings	
Breaded fish	
Shrimp	

4. The ready light will illuminate when the oil reaches the set temperature.



OPERATION (CONTINUED)

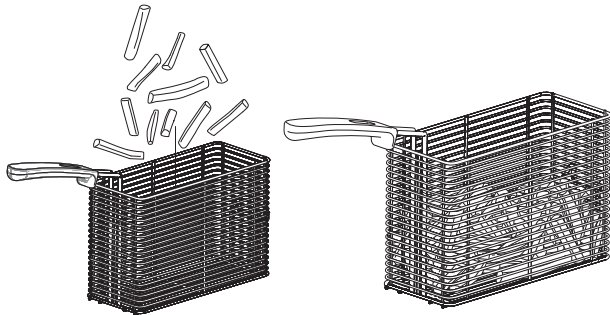
Place Food into the Basket

	CAUTION
Burn Hazard Hot oil and parts can cause burns. Use caution when operating this equipment. Do not overfill baskets which could cause hot oil to overflow. Some foods may cause oil to spatter. Use caution when adding food to hot oil and lowering baskets into the fryers.	

For Best Results

Food	Tips
All Foods	<ul style="list-style-type: none"> • Fill baskets 1/3 to 1/2 full. Do not over fill. • Place food so that it can circulate in the boiling oil. • Select pieces of food that are the same shape and size. • Skim the oil often. • Shake the basket often while frying.
Frozen Foods	<ul style="list-style-type: none"> • Remove ice crystals from frozen food. Ice crystals may cause oil to splatter. • Dry or drain wet food before placing into the basket.
Batter Dipped Foods	<ul style="list-style-type: none"> • Lower the basket into the oil, then use tongs to place individual pieces into the oil

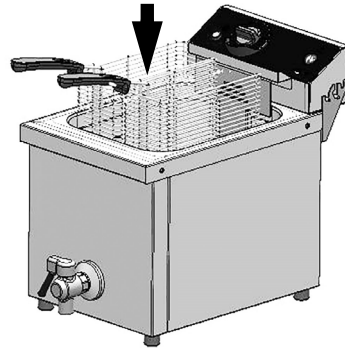
1. Place food into the basket(s).



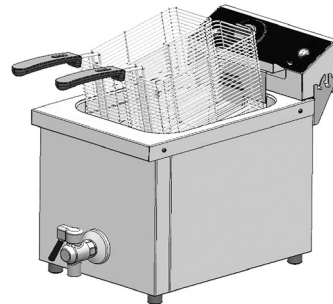
- Fill the basket 1/3 to 1/2 full
- Distribute the food evenly in the basket

NOTICE: Overfilling baskets could cause hot oil to overflow.

2. Carefully lower the basket(s) into the cooking oil.



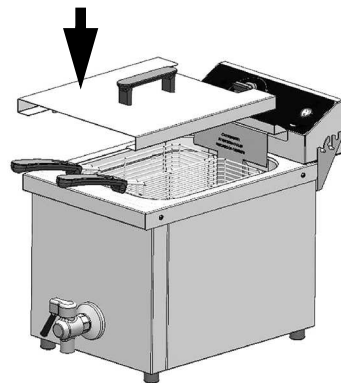
3. When frying is complete, remove the basket(s) from the oil and set on the basket hook to allow excess oil to drain from the food.



4. Allow the excess oil to drain back into the well before transferring the food to a serving dish or holding area.

5. Press  to turn off the fryer.

6. Place the night covers over the fryer wells when the fryer is not in use.



CLEANING


	<p>CAUTION</p>
	<p>Burn Hazard Do not touch hot liquid or heating surfaces while unit is heating or operating.</p>
<p>Hot liquids and food can burn skin. Allow the hot liquid to cool before handling. Do not drop or spill water into hot oil as it will spray or splatter the hot oil out of the tank.</p>	

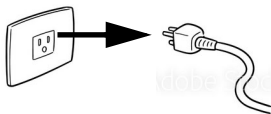
	<p>WARNING</p>
	<p>Electrical Shock Hazard Keep water and other liquids from entering the inside of the equipment. Liquid inside the equipment could cause an electrical shock.</p>
<p>Do not spray the unit or controls with water or cleaning products. Liquid could contact the electrical components and cause a short circuit or an electrical shock. Do not use unit if power cord is damaged or has been modified.</p>	

NOTICE: Hand wash only. Do not wash fryer components in a dishwasher.

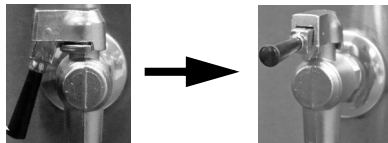
NOTICE: Do not use abrasive materials, scratching cleansers or scouring pads to clean the equipment. These can damage the finish.

Clean this equipment daily.

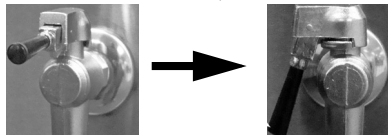
1. Press  to turn off the fryer.
2. Unplug the fryer. For fryers with two power cord, both cords must be unplugged.



3. Allow the fryer and oil to cool completely.
4. Place a 3 gallon or larger metal container under the drain valve.
5. Lift drain valve handle up and slowly rotate it to the open position.



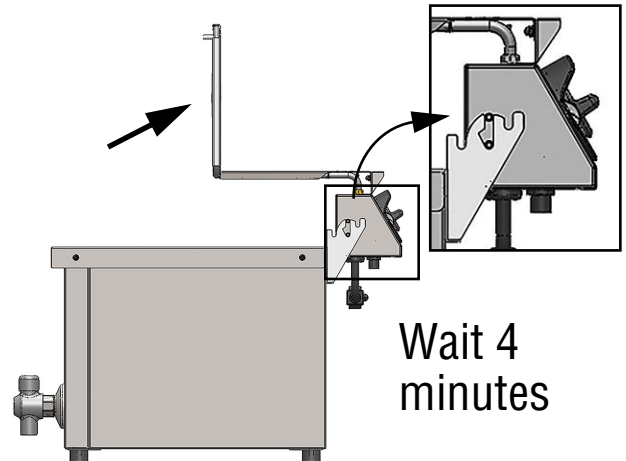
6. After the oil has drained, close the drain valve.



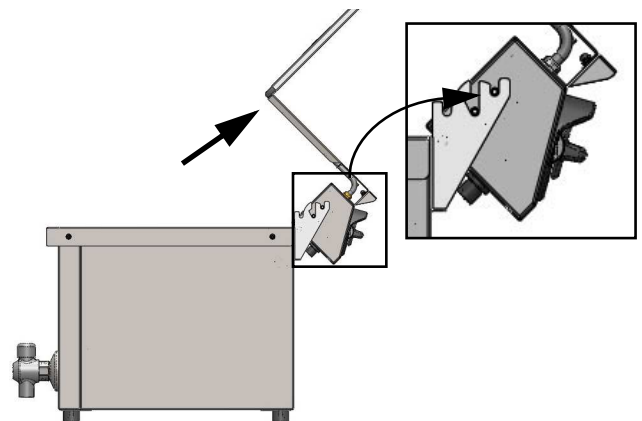
7. Filter or discard the used oil.
8. Remove the baskets from the well.
9. Wash the baskets in hot soapy water. Rinse thoroughly.

10. Lift and rotate the fryer head, placing the pins into the notches as shown below. Allow the head to rest in this position for a minimum of four minutes to allow oil to drain from the fryer head into the well.

NOTICE: Not waiting for the oil to drain could cause oil to drain onto the control panel or the area below the fryer. This could damage the controls and create a hazardous situation.



11. After the all of the oil has drained from the fryer head, rotate the head backward, placing the pins into the notches as shown below.



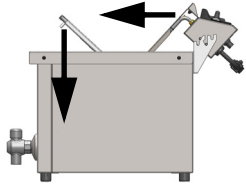
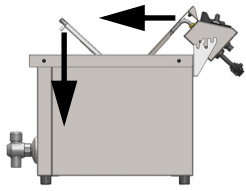
12. Clean the wells with a soft cloth or sponge dipped into soapy water.

OR

Fill the well(s) with water to the maximum fill mark. Add dish washing liquid and boil the mixture for a few minutes. Then drain the well.

13. Clean the outside of the fryer with a soft cloth or sponge dipped into soapy water.
14. Rinse the equipment thoroughly to remove any soap residue.
15. Dry the equipment thoroughly.

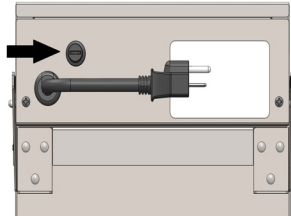
TROUBLESHOOTING

Problem	Might Be Caused By	Course of Action
Ready light does not illuminate when the temperature control is set to standby.	The fryer is not plugged in.	Plug in the fryer.
	The temperature safety switch is tripped.	Reset temperature safety switch. See the Temperature Safety Reset section of this manual.
	The fryer head is not positioned correctly.	Ensure the fryer head is positioned correctly in the hinges and lowered into the oil. The fryer head must be in the down position to engage the magnetic interlock switch. 
	Ready light malfunction.	Replace the ready light.
Oil gets too hot.	The oil level may be too low.	Check the level of oil in the well. It should be between the minimum and maximum fill lines. If is not, turn off the fryer and allow it to cool. Add oil to proper level.
	Thermostat control malfunction.	Contact Vollrath Technical Services.
Oil does not get hot enough.	Not allowing sufficient time for fryer to recover.	Wait for the ready light to illuminate before placing food into the fryer.
	Thermostat control malfunction.	Contact Vollrath Technical Services.
Oil heats slowly.	The fryer may be plugged into an electrical outlet with incorrect voltage.	Verify the voltage at the outlet matches the voltage rating the label on the fryer. If not, plug the fryer into an outlet with the correct voltage.
Oil does not heat.	Fryer head is not positioned correctly.	Ensure the fryer head is positioned correctly in the hinges and lowered into the oil. The fryer head must be in the down position to engage the magnetic interlock switch. 
	The temperature safety switch may have activated.	See the instructions in the Temperature Safety Reset section of this manual.
	The magnetic safety switch, thermostat, or heating element may have malfunctioned.	Contact Vollrath Technical Services.
Oil boils over top when frying	Too much oil in the well.	Reduce the amount of oil in the well.
	Too much food in the basket.	Reduce the amount of food in the basket.
	Too much water in the food.	Remove extra liquid or ice crystals from food prior to frying.
Fryer suddenly stops working	The oil may be too hot and the over-temperature safety feature may have activated.	See the instructions in Temperature Safety Reset section of this manual.
Food quality issues		
Overcooked food.	Food is cooked too long.	Lower the temperature or adjust the cooking time.
Undercooked food or food is not crisp.	Oil is not hot enough, not cooked long enough or there is too much food in the basket.	Raise the temperature or adjust the time. Use uniform sized pieces of food. Do not overload the basket. Shake the basket while the food is cooking.
Food is overcooked on outside, undercooked on inside.	Oil is too hot.	Lower the temperature of the oil.

TEMPERATURE SAFETY RESET SWITCH

This fryer is equipped with a safety feature that shuts off power to the fryer if the oil temperature reaches 446°F (260°C). If the switch is activated, the condition that caused the activation needs to be corrected and the switch needs to be reset.

1. Determine what caused the safety switch to activate and correct it.
Possible causes include; dirty oil, low oil level and fryer head not properly submerged in oil.
2. Allow the oil to cool to 300°F (149°C) or lower.
3. Press and release the reset button on the back of the fryer.



4. Contact Vollrath Technical Service if the switch continues to activate.

SERVICE AND REPAIR

Serviceable parts are available on vollrathfoodservice.com.

To avoid serious injury or damage, never attempt to repair the unit or replace a damaged power cord yourself. Do not send units directly to The Vollrath Company LLC. Please contact Vollrath Technical Services for instructions.

When contacting Vollrath Technical Services, please be ready with the item number, model number (if applicable), serial number, and proof of purchase showing the date the unit was purchased.

WARRANTY STATEMENT FOR THE VOLLRATH CO. L.L.C.

This warranty does not apply to products purchased for personal, family or household use, and The Vollrath Company LLC does not offer a written warranty to purchasers for such uses.

The Vollrath Company LLC warrants the products it manufactures or distributes against defects in materials and workmanship as specifically described in our full warranty statement. In all cases, the warranty runs from the date of the end user's original purchase date found on the receipt. Any damages from improper use, abuse, modification or damage resulting from improper packaging during return shipment for warranty repair will not be covered under warranty.

For complete warranty information, product registration and new product announcement, visit vollrathfoodservice.com.



vollrathfoodservice.com

The Vollrath Company, L.L.C.

1236 North 18th Street
Sheboygan, WI 53081-3201 U.S.A.
Main Tel: 800.624.2051 or 920.457.4851 Main Fax:
800.752.5620 or 920.459.6573 Customer Service:
800.628.0830 Canada Customer Service:
800.695.8560

Friteuse sur comptoir électrique service moyen avec vidange, 15 lb (6,8 kg)

	⚠ AVERTISSEMENT
Risque de départ de feu, blessures ou danger de mort	
Les précautions, procédures correctes et les réglementations doivent être suivies. Une formation à l'utilisation et à la sécurité est nécessaire pour tous les utilisateurs de cet appareil.	

Merci d'avoir acheté cet appareil Vollrath. Avant de l'utiliser, lisez et familiarisez-vous avec le mode d'emploi et les consignes d'utilisation qui suivent. **CONSERVEZ CES INSTRUCTIONS POUR RÉFÉRENCE ULTÉRIEURE.** Conservez l'emballage et le carton d'origine. L'emballage devra être réutilisé pour expédier l'appareil si une réparation est nécessaire.

CONSIGNES DE SÉCURITÉ

Pour garantir un fonctionnement sûr, lisez les avertissements suivants et comprenez leur signification. Ce manuel contient des consignes de sécurité, présentées ci-dessous. Lisez-les attentivement.

⚠ AVERTISSEMENT

Un avertissement permet d'indiquer la présence d'un danger qui causera ou peut causer des blessures personnelles graves ou la mort.

⚠ ATTENTION

Une mise en garde indique la présence d'un danger qui causera ou pourra causer des blessures mineures ou majeures si elle est ignorée.

AVIS : Un avis met en évidence des informations qui sont importantes mais sans rapport avec un danger.

Pour réduire le risque de blessures et d'endommagement de l'appareil :

- N'utilisez pas l'appareil sans surveillance.
- Cet appareil doit uniquement être utilisé sur une surface plane.
- Changez l'huile régulièrement ou en fonction des besoins. L'huile usagée ou sale a un point d'éclair inférieur à celui de l'huile propre.
- Remplissez d'huile au niveau correct. Ne remplissez pas trop.
- Ne remplissez pas trop le panier. Ne remplissez pas le panier à plus de la moitié.
- L'huile chaude est inflammable - tenez les flammes nues à l'écart de l'huile et des vapeurs chaudes.
- L'appareil et l'huile risquent d'être chauds bien que le voyant Prêt soit éteint.
- N'utilisez pas l'appareil dans des lieux publics et/ou à proximité d'enfants.
- N'utilisez pas l'appareil s'il a été endommagé ou s'il fonctionne mal.
- Ne modifiez pas l'interrupteur général ou le thermorupteur.
- Débranchez l'appareil, éteignez-le et laissez-le refroidir avant de le nettoyer ou de le déplacer.
- Ne vaporisez pas les commandes ou l'extérieur de l'appareil avec des liquides ou des produits nettoyants.
- Ne nettoyez pas l'appareil à la laine d'acier.
- Jetez l'huile en respectant l'environnement.



Num. d'article	No modèle	Description	Puissance (W)	Volts
CF4-3600	FFA8115	Friteuse sur comptoir, 15 lb.(4,5 kg)	2700-3600	208-240
CF4-3600-C	FFA8115-C			
CF4-3600DUAL	FFA8130	Friteuse sur comptoir double, 2 x 15 lb.(4,5 kg)	2700-3600	208-240
CF4-3600DUAL-C	FFA8130-C			

Remarque : Chaque tête de friteuse exige un circuit dédié et chaque circuit à ses propres valeurs nominales électriques.

FONCTION ET OBJET

Cet appareil est réservé à la cuisson des aliments en bain de friture dans les opérations de restauration commerciales. Il n'est pas destiné à une utilisation domestique, industrielle ou en laboratoire.

Table des matières

Codes et exigences applicables	page 2
Codes et exigences applicables	page 2
Avant la première utilisation	page 2
Mode d'emploi	page 3
Nettoyage	page 5
Dépannage	page 6

CODES ET EXIGENCES APPLICABLES

	AVERTISSEMENT
Risque de départ de feu, blessures ou danger de mort Cet appareil doit être installé par un installateur qualifié conformément à tous les codes locaux, provinciaux et nationaux. L'installation inadéquate de l'appareil peut causer des blessures, voire la mort.	

Codes et normes applicables

États-Unis

Vollrath recommande que tous les équipements de cuisine commerciale soient fournis avec un système de ventilation conformément à NFPA96.

- Les équipements de cuisine qui utilisent ou produisent de la graisse (par ex. friteuse, plancha) doivent être fournis avec des hottes aspirantes conçues pour capturer la graisse et protéger du feu.
- Ils doivent être installés conformément aux exigences et à l'approbation de l'autorité ayant juridiction.

Dégagements minimums

- Dégagement minimum de matériaux de construction combustibles : 6" (15 cm) des côtés et de l'arrière de la friteuse
- Dégagement minimum de flammes en surface d'appareils adjacents : 16" (40,6 cm)

Exigences environnementales

- La friteuse ne doit pas être installée sous des matériaux combustibles.
- La friteuse doit être installée sous une hotte aspirante conformément à la dernière édition de la norme Standard for Ventilation Control and Fire Protection of Commercial Cooking Operations, NFPA 96.
- Placez la friteuse à un endroit où elle ne risquera pas d'être poussée du comptoir.
- Maintenez la zone entourant la friteuse dépourvue de matériaux combustibles.
- Laissez dégagé l'avant de la friteuse durant l'utilisation.
- Ne placez pas la friteuse à côté d'un appareil produisant de la chaleur.

Exigences électriques

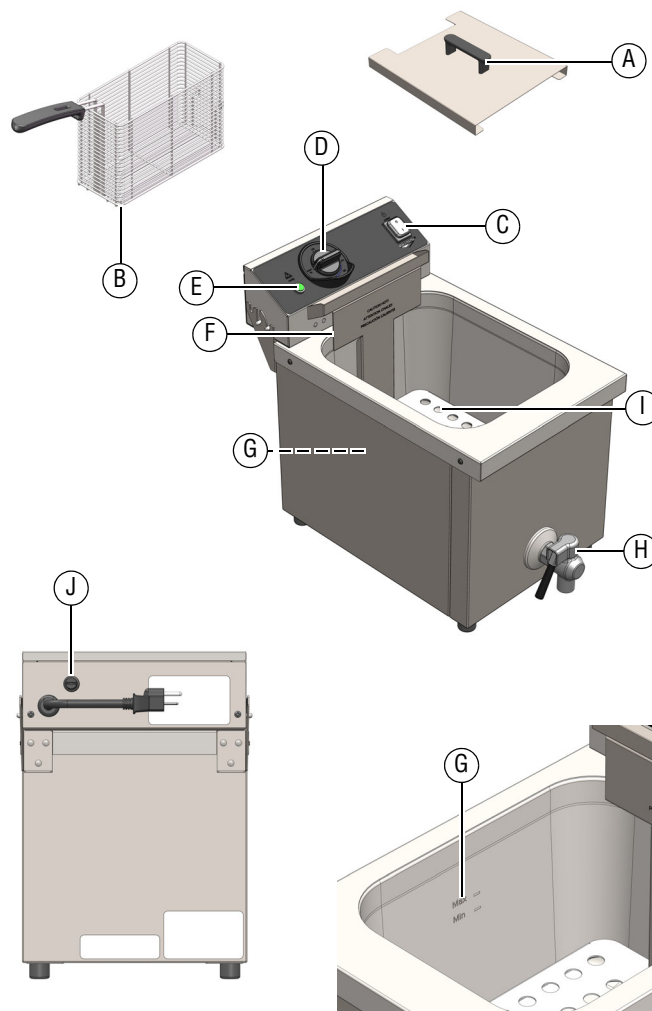
- Chaque tête de friteuse exige un circuit dédié. Certains modèles sont fournis avec deux cordons d'alimentation. Chaque cordon doit être branché sur un circuit dédié qui correspond à la valeur indiquée sur la plaque signalétique à l'arrière de la friteuse.

AVANT LA PREMIÈRE UTILISATION

Nettoyage de l'appareil

Cet appareil doit être nettoyé avant utilisation sous peine de contamination alimentaire. Voir la section « Nettoyage » de ce manuel.

CARACTÉRISTIQUES ET COMMANDES



- A Couverture de nuit.** Couvre le bac et l'huile lorsque la friteuse n'est pas en cours d'utilisation.
- B Paniers.** Contiennent les aliments devant être frits.
- Interrupteur de marche/arrêt.** S'allume quand l'interrupteur est en position Marche.
- C Cadran du thermostat** Règle la température de l'huile.
- D Mode Veille** Met hors tension l'élément chauffant. Remarque : En mode veille, le voyant Prêt sera également allumé.
- E Voyant Prêt.** S'allume lorsque l'huile a atteint la température de consigne.
- F Crochet du panier.** Maintient le panier pour laisser s'égoutter l'excès d'huile des aliments.
- Niveau d'huile maximum.** Ne remplissez pas d'huile au-delà de ce repère ; sinon, l'huile risque de déborder du bac une fois le panier d'aliments plongé dans l'huile.
- G Niveau d'huile minimum.** N'utilisez pas la friteuse avec un niveau d'huile en dessous de ce niveau sous peine de surchauffe et d'auto-inflammation, ce qui pourrait provoquer un incendie.
- H Robinet de vidange.** Vidange l'huile.
- I Élément chauffant.** Chauffe l'huile.
- J Bouton de réarmement du thermorupteur** Voir la section Dépannage

MODE D'EMPLOI



⚠ AVERTISSEMENT

Risque d'incendie

L'huile surchauffée ou les vapeurs d'huile peuvent s'enflammer et causer un départ de feu. Surveillez la température, la qualité et le niveau d'huile. Faites chauffer l'huile avec précaution. Si l'huile fume, baissez la température. Ne laissez pas l'appareil sans surveillance. En cas d'incendie, éteignez l'appareil et couvrez-le jusqu'à refroidissement. Ne jetez pas d'eau sur l'huile chaude ou en flammes. N'utilisez pas l'appareil si le niveau d'huile est inférieur au repère. L'huile sale a un point d'éclair inférieur. Remplacez l'huile régulièrement. Maintenez l'huile au niveau correct. Utilisez un système d'évacuation des vapeurs d'huile (hotte aspirante) pour réduire l'accumulation d'huile et de graisse sur les murs ou le plafond.

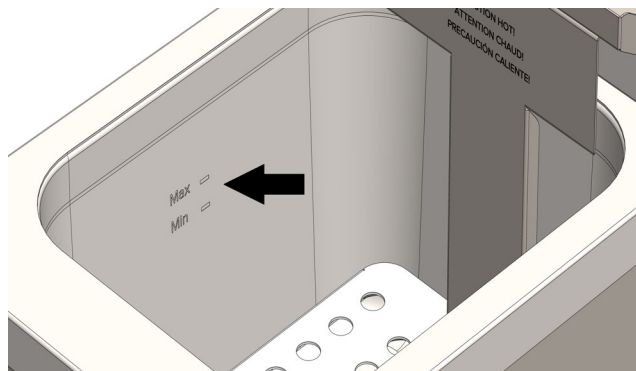
AVIS : N'utilisez pas la friteuse avec le(s) couvercle(s) de nuit placés sur le(s) bac(s).

Ajoutez de l'huile dans les bacs

AVIS : Ne versez pas l'huile dans un bac vide alors que la friteuse est chaude.

Conseils :

- Utilisez une huile haute qualité qui ne se décompose pas rapidement. Par exemple, une huile de maïs ou d'arachide.
 - Filtrez l'huile chaque jour.
 - Ajoutez de l'huile neuve si nécessaire pour maintenir le niveau d'huile.
1. Avant chaque utilisation, vérifiez que le niveau d'huile dans chaque bac est bien entre les traits de remplissage minimum et maximum.



2. Assurez-vous que le(s) robinet(s) de vidange est(sont) en position fermée.



3. S'il est nécessaire d'ajouter de l'huile, retirez les paniers du bac. Ajoutez de l'huile ou de la graisse végétale dans le bac jusqu'à ce que le niveau soit entre les traits de remplissage minimum et maximum. NE remplissez PAS trop le bac.

AVIS : Faites fondre la graisse végétale à 125° F (51° C). Faire fondre la graisse à des températures supérieures à 125° F (51° C) peut déclencher le contrôle de limite haute. Une fois la graisse végétale fondue, réglez le thermostat à la température de friture.

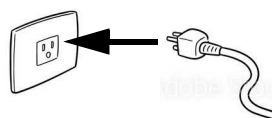
Pré-chauffez l'huile


Pour les friteuses doubles, les bacs fonctionnent indépendamment et peuvent être réglés à différentes températures.

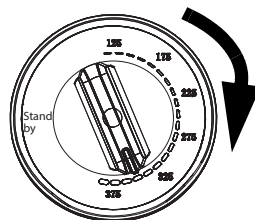
Remarque : La tête de friteuse doit être en position basse. Sinon, la friteuse ne chauffera pas.

1. Branchez la friteuse sur une prise de terre qui correspond à la plaque signalétique à l'arrière de la friteuse.

AVIS : L'utilisation d'une autre tension que celle indiquée sur la plaque signalétique endommagera l'appareil. Une tension incorrecte, la modification du cordon d'alimentation ou les composants électriques risquent d'endommager l'appareil et d'annuler la garantie.

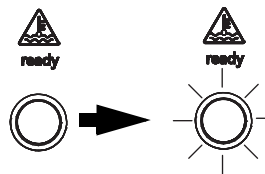


2. Appuyez sur  pour allumer la friteuse. L'interrupteur s'allume.
3. Tournez le cadran du thermostat à la température souhaitée.




Aliment	Température suggérée
Frites	375° F (190° C)
Pommes gaufrettes	
Chips	
Tater Tots®	
Rondelles d'oignon	350° F (175° C)
Ailes de poulet	
Poisson pané	
Crevette	

4. Le voyant Prêt s'allume dès que l'huile atteint la température de consigne.



MODE D'EMPLOI (SUITE)

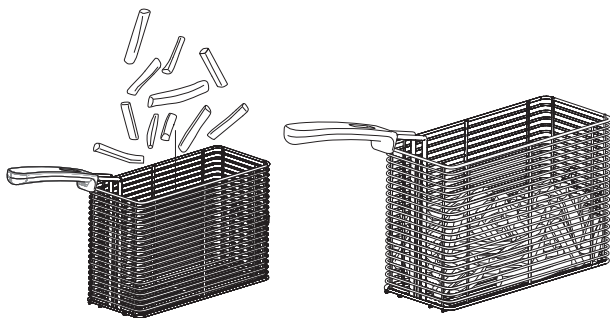
Placez les aliments dans le panier

	⚠ ATTENTION Risque de brûlure L'huile et les pièces chaudes peuvent provoquer des brûlures. Faites attention lorsque vous utilisez cet appareil. Ne remplissez pas trop les paniers afin d'éviter que l'huile chaude ne déborde. Certains aliments peuvent provoquer des projections d'huile. Faites attention lorsque vous ajoutez de l'huile chaude et lorsque vous plongez les paniers dans la friteuse.
---	---

Pour de meilleurs résultats

Aliments	Conseils
Tous les aliments	<ul style="list-style-type: none">• Remplissez les paniers jusqu'à 1/3 à 1/2 de leur contenance. Ne remplissez pas trop.• Placez les aliments de manière à ce qu'ils puissent circuler dans l'huile bouillante.• Sélectionnez des aliments de même forme et de même taille.• Écumez souvent l'huile.• Secouez souvent le panier pendant la cuisson.
Aliments surgelés	<ul style="list-style-type: none">• Retirez les cristaux de glace des aliments surgelés. Les cristaux de glace peuvent provoquer des projections d'huile.• Séchez ou égouttez les aliments humides avant de les placer dans le panier.
Aliments panés frits	<ul style="list-style-type: none">• Plongez le panier dans l'huile, puis utilisez les pinces pour placer chaque aliment dans l'huile.

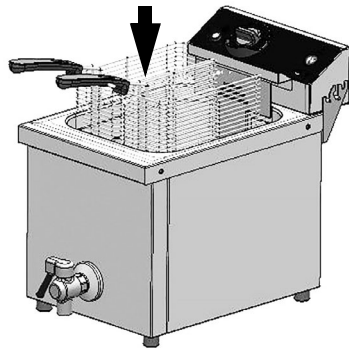
1. Placez les aliments dans le(s) panier(s).



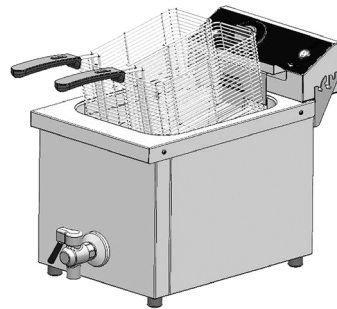
- Remplissez le panier jusqu'à 1/3 à 1/2 de sa contenance
- Répartissez uniformément les aliments dans le panier

AVIS : Un remplissage excessif des paniers peut provoquer le débordement de l'huile chaude.

2. Plongez doucement le(s) panier(s) dans l'huile de cuisson



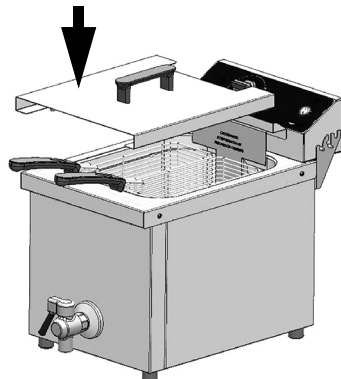
3. Lorsque la cuisson est terminée, retirez le(s) panier(s) de l'huile et accrochez-le(s) au crochet de panier afin de laisser l'excès d'huile s'égoutter des aliments.



4. Laissez bien l'huile en excès s'égoutter dans le bac avant de transférer les aliments sur un plat de service ou une zone de maintien au chaud.

5. Appuyez sur  pour éteindre la friteuse.

6. Si vous disposez de couvercles de nuit, placez-les sur les bacs de la friteuse lorsque la friteuse n'est pas en cours d'utilisation. Les couvercles de nuit sont vendus séparément.



NETTOYAGE

	ATTENTION
	Risque de brûlure Ne touchez pas les surfaces de chauffe ou le liquide quand l'appareil chauffe ou fonctionne.
Les aliments et les liquides chauds peuvent causer des brûlures. Laissez refroidir le liquide avant manipulation. Ne faites pas couler ou ne projetez pas d'eau dans l'huile chaude sous peine de projections d'huile chaude.	
	AVERTISSEMENT
	Risque d'électrocution Empêchez toute infiltration d'eau et d'autres liquides dans l'appareil. L'infiltration de liquide dans l'appareil risque de causer une électrocution.
Ne vaporisez pas les commandes ou l'appareil avec de l'eau ou un produit nettoyant. Du liquide risque d'entrer en contact avec les composants électriques et de causer un court-circuit ou une décharge électrique. N'utilisez pas l'appareil si le cordon d'alimentation est abîmé ou a été modifié.	

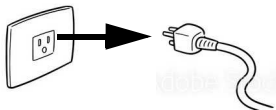
AVIS : Lavez exclusivement à la main. Ne lavez pas les composants de la friteuse dans un lave-vaisselle.

AVIS : N'utilisez pas de produits ou nettoyants abrasifs, ni de tampons récurants pour nettoyer l'appareil sous peine d'endommager le fini.

Nettoyez l'appareil tous les jours.

1. Appuyez sur  pour éteindre la friteuse.

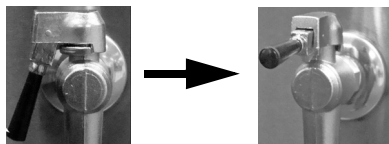
2. Débranchez la friteuse. Pour les friteuses avec deux cordons d'alimentation, débranchez bien les deux cordons.



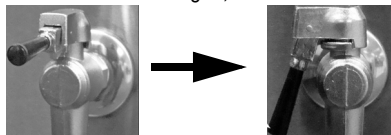
3. Laissez complètement refroidir la friteuse et l'huile.

4. Placez un récipient métallique de 3 gallons (11,7 litres) minimum sous le robinet de vidange.

5. Soulevez la poignée du robinet de vidange et tournez-la lentement en position ouverte.



6. Une fois l'huile vidangée, fermez le robinet de vidange.



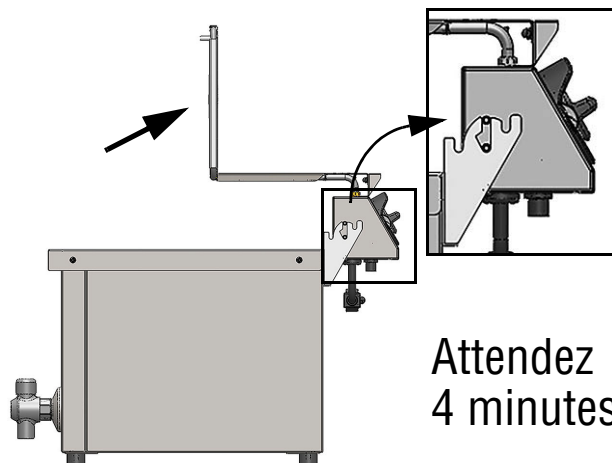
7. Filtrez ou jetez l'huile usagée.

8. Retirez les paniers du bac.

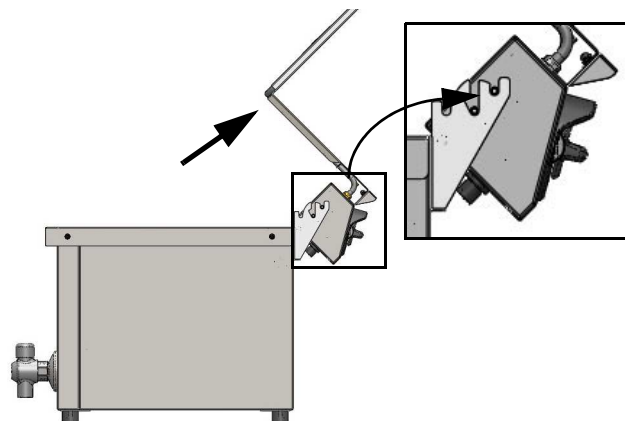
9. Lavez les paniers à l'eau savonneuse chaude. Rincez minutieusement.

10. Soulevez et faites pivoter la tête de friteuse, en plaçant les tenons dans les encoches comme indiqué ci-dessous. Laissez la tête dans cette position pendant au minimum quatre minutes afin de laisser l'huile s'égoutter de la tête de friteuse dans le bac.

NOTICE: Si vous n'attendez pas suffisamment, l'huile pourrait s'écouler sur le panneau de commande ou sur la zone sous la friteuse. Cela pourrait endommager les commandes et provoquer une situation dangereuse.



11. Une fois toute l'huile égouttée de la tête de friteuse, faites pivoter la tête vers l'arrière, en plaçant les tenons dans les encoches comme indiqué ci-dessous.



12. Nettoyez les bacs à l'aide d'un chiffon doux ou d'une éponge trempée dans une eau savonneuse.

OU

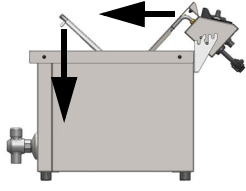
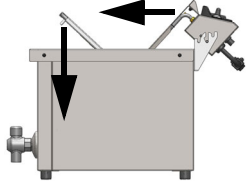
Remplissez le(s) bac(s) avec de l'eau jusqu'à la marque de remplissage maximum. Ajoutez du liquide vaisselle et faites bouillir le mélange pendant quelques minutes. Puis videz les bacs.

13. Nettoyez l'extérieur de la friteuse à l'aide d'un chiffon doux ou d'une éponge trempée dans une eau savonneuse.

14. Rincez soigneusement l'appareil pour retirer tout résidu de savon.

15. Essuyez bien l'appareil.

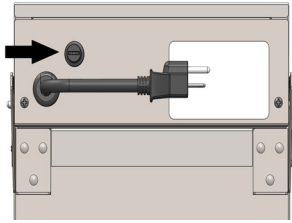
DÉPANNAGE

Problème	Cause possible	Mesure corrective
Le voyant Prêt ne s'allume pas lorsque le thermostat est en mode veille.	La friteuse n'est pas branchée.	Branchez la friteuse.
	L'interrupteur de sécurité de température s'est déclenché.	Réarmez le thermorupteur. Voir la section « Réarmement de la sécurité température » de ce manuel.
	La tête de friteuse n'est pas correctement positionnée.	Assurez-vous que la tête de friteuse est correctement positionnée dans les charnières et abaissée dans l'huile. La tête de friteuse doit être en position basse pour enclencher l'interrupteur d'interverrouillage magnétique. 
	Le voyant Prêt ne fonctionne pas.	Remplacez le voyant Prêt.
L'huile chauffe trop.	Le niveau d'huile peut être trop bas.	Vérifiez le niveau d'huile dans le bac. Il doit être entre les traits de remplissage minimum et maximum. Si ce n'est pas le cas, éteignez la friteuse et laissez-la refroidir. Ajoutez de l'huile jusqu'au niveau correct.
	Thermostat en panne.	Contactez le support technique Vollrath
L'huile ne chauffe pas assez.	Vous n'avez pas assez attendu.	Attendez que le voyant Prêt s'allume avant de placer les aliments dans la friteuse.
	Thermostat en panne.	Contactez le support technique Vollrath.
L'huile chauffe lentement.	La friteuse est peut-être branchée à une prise électrique d'une tension incorrecte.	Vérifiez que la tension de la prise correspond à la tension nominale indiquée sur l'étiquette de la friteuse. Si ce n'est pas le cas, branchez la friteuse sur une prise de tension correcte.
L'huile ne chauffe pas.	La tête de friteuse n'est pas correctement positionnée.	Assurez-vous que la tête de friteuse est correctement positionnée dans les charnières et abaissée dans l'huile. La tête de friteuse doit être en position basse pour enclencher l'interrupteur d'interdiction magnétique. 
	L'interrupteur de sécurité de température peut avoir été activé.	Voir les instructions dans la section « Réarmement de la sécurité température » de ce manuel.
	Le thermorupteur, le thermostat ou l'élément chauffant peuvent être en panne.	Contactez le support technique Vollrath
L'huile déborde en cours de friture.	Trop d'huile dans le bac.	Réduisez la quantité d'huile dans le bac.
	Trop d'aliments dans le panier.	Réduisez la quantité d'aliments dans le panier.
	Trop d'eau dans les aliments.	Retirez le liquide ou les cristaux de glace des aliments avant de les plonger dans le bain d'huile.
La friteuse cesse soudainement de fonctionner.	L'huile peut être trop chaude et le dispositif de sécurité de surchauffe peut avoir été déclenché.	Voir les instructions dans la section « Réarmement sécurité température » de ce manuel.
Problèmes de qualité des aliments		
Aliments trop cuits	La cuisson des aliments a été trop longue.	Diminuez la température ou modifiez le temps de cuisson.
Aliments pas assez cuits ou bien pas croustillants.	L'huile n'est pas assez chaude, la cuisson n'a pas été assez longue ou il y a trop d'aliments dans le panier.	Augmentez la température ou modifiez le temps de cuisson. Utilisez des aliments de même taille. Ne surchargez pas le panier. Secouez le panier au cours de la cuisson.
Les aliments sont trop cuits à l'extérieur, et pas assez cuits à l'intérieur.	L'huile est trop chaude.	Diminuez la température de l'huile.

BOUTON DE RÉARMEMENT DU THERMORUPTEUR

Cette friteuse est équipée d'un dispositif de sécurité qui coupe l'alimentation de la tête de la friteuse si la température de l'huile atteint 446°F (230°C). Si le thermorupteur est activé, la cause de son déclenchement doit être corrigée et le thermorupteur doit ensuite être réarmé.

1. Déterminez la cause de l'activation du thermorupteur et rectifiez le problème. Les causes possibles incluent : huile sale, bas niveau d'huile, tête de friteuse sale et tête de friteuse mal immergée dans l'huile.
2. Attendez que la température de l'huile diminue en dessous de 300°F (149°C).
3. Appuyez brièvement sur le bouton de réarmement à l'arrière de la friteuse,



4. Contactez le support technique Vollrath si le thermorupteur reste en défaut.

SAV ET RÉPARATIONS

Des pièces détachées sont disponibles sur sollrath.com.

Pour éviter toute blessure grave ou tout dommage sévère, n'essayez jamais de réparer l'appareil ou de remplacer vous-même un cordon d'alimentation endommagé. N'envoyez aucun appareil directement à la Vollrath Company LLC. Pour des instructions, contactez les services techniques de Vollrath.

Lorsque vous contacterez les services techniques de Vollrath, tenez-vous prêt à fournir le numéro d'article, le numéro de modèle (s'il y a lieu), le numéro de série et le justificatif d'achat indiquant la date d'achat de l'appareil.

GARANTIE DE LA VOLLRATH CO. L.L.C.

Cette garantie ne s'applique pas aux produits achetés pour un usage personnel, familial ou ménager, et la Vollrath Company LLC ne propose aucune garantie écrite aux acheteurs pour de telles utilisations.

La Vollrath Company L.L.C. garantit que les produits qu'elle fabrique et distribue seront dépourvus de vices de matériaux et de malfaçons, comme indiqué dans notre déclaration complète de garantie. Dans tous les cas, la garantie entre en vigueur à la date d'achat par l'utilisateur initial indiquée sur le reçu. Tous les dommages subis lors d'une utilisation impropre ou abusive, ou résultant d'une modification ou d'un emballage inadapté lors d'un renvoi du produit pour une réparation sous garantie ne seront pas couverts par la garantie.

Pour des informations complètes sur la garantie, l'enregistrement des produits et l'annonce de nouveaux produits, consultez vollrathfoodservice.com.



www.vollrathfoodservice.com

The Vollrath Company, L.L.C.

1236 North 18th Street
Sheboygan, WI 53081-3201 États-Unis
Standard : 800.624.2051 ou 920.457.4851
Télécopieur : 800.752.5620 ou 920.459.6573
Service clientèle : 800.628.0830
Service clientèle Canada : 800.695.8560

Services techniques :

techservicereps@vollrathco.com
Produits à induction : 800.825.6036
Réchauds de comptoir : 800.354.1970
Grille-pains : 800-309-2250
Tous les autres produits : 800.628.0832

Freidoras eléctricas de mostrador de 15 lb (6,8 kg) con drenaje para servicio mediano

	ADVERTENCIA
Peligro de incendio, lesiones o la muerte	
Se deben acatar las precauciones, procedimientos y reglamentos de uso correctos. Todos los usuarios de este equipo deben contar con entrenamiento de seguridad y operación.	

Gracias por comprar este equipo Vollrath. Antes de usar el equipo, lea y familiarícese con las siguientes instrucciones de operación y seguridad. CONSERVE ESTAS INSTRUCCIONES COMO REFERENCIA PARA EL FUTURO. Conserve la caja y embalado originales. Deberá utilizarlos para devolver el equipo en caso de que requiera reparaciones.

PRECAUCIONES DE SEGURIDAD

Para garantizar una operación segura, lea las siguientes afirmaciones y comprenda su significado. Este manual contiene precauciones de seguridad que se explican a continuación. Léelas atentamente.

ADVERTENCIA

Advertencia se usa para indicar la presencia de un peligro que provocará o puede provocar lesiones graves o letales.

PRECAUCIÓN

Precaución se usa para indicar la presencia de un peligro que provocará o puede provocar lesiones leves o importantes si se ignora el aviso.

AVISO: Aviso se usa para señalar información importante no relacionada con peligros.

Para disminuir el riesgo de lesiones personales o daños al equipo:

- No lo deje funcionando solo.
- Esta unidad debe utilizarse sólo en posición plana y nivelada.
- Cambie regularmente el aceite o según sea necesario. El aceite antiguo o sucio tiene un punto de inflamación más bajo que el aceite limpio.
- Llene de aceite hasta el nivel correcto. No llene excesivamente.
- No llene excesivamente la cesta. No llene la cesta a más de la mitad de su capacidad.
- El aceite caliente es inflamable - mantenga las llamas expuestas lejos del aceite y sus vapores.
- La unidad y el aceite pueden estar calientes a pesar de que la luz de "listo" esté apagada.
- No opere la unidad en áreas públicas ni cerca de los niños.
- No opere la unidad si se ha dañado o si funciona defectuosamente de algún modo.
- No manipule indebidamente el interruptor de operación segura ni el interruptor de protección contra sobrecalentamiento.
- Apague la unidad, desenchúfela y deje que se enfríe antes de limpiarla o trasladarla.
- No rocíe con líquidos ni agentes de limpieza los controles ni la parte externa de la unidad.
- No limpie la unidad con lana de acero.
- Deseche el aceite de una manera ambientalmente responsable.



Núm. art.	Núm. modelo	Descripción	Vatios	Voltios
CF4-3600	FFA8115	Freidora de mostrador, 15 lb (6,8 kg)	2700-3600	208-240
CF4-3600-C	FFA8115-C			
CF4-3600DUAL	FFA8130	Freidora doble de mostrador, 2 x 15 lb (6,8 kg)	2700-3600	208-240
CF4-3600DUAL-C	FFA8130-C			

Nota: Cada cabezal de la freidora requiere un circuito dedicado, y las capacidades eléctricas nominales son por circuito.


FUNCIÓN Y PROPÓSITO

Este equipo está diseñado para freír por inmersión alimentos en operaciones comerciales de servicio de comidas solamente. No está diseñado para uso doméstico, industrial ni de laboratorio.

Contenido

Códigos y requisitos	página 2
Códigos y requisitos	página 2
Antes del primer uso	página 2
Funcionamiento	página 3
Limpieza	página 5
Solución de problemas	página 6

CÓDIGOS Y REQUISITOS

	ADVERTENCIA
Peligro de incendio, lesiones o la muerte	
Este equipo debe instalarlo personal calificado de acuerdo con todos los códigos federales, estatales y locales. El no instalar correctamente este equipo puede causar lesiones graves o letales.	

Códigos y normas aplicables

Estados Unidos

Vollrath recomienda que todos los equipos de cocina comercial se proporcionen con un sistema de ventilación que cumpla la norma NFPA96.

- El equipo de cocina que utiliza o produce grasa (p. ej., freidora, plancha), debe proporcionarse con campanas diseñadas para captar la grasa y brindar protección contra incendios.
- El equipo debe instalarse de acuerdo con los requisitos y la aprobación de la autoridad competente (AHJ).

Requisitos de espacio

- Espacio libre mínimo de construcción combustible: 6 pulgadas (15 cm) desde los lados y la parte posterior de la freidora
- Espacio libre mínimo de las llamas superficiales provenientes del equipo adyacente: 16 pulgadas (40,6 cm)

Requisitos ambientales

- No instale la unidad debajo de material combustible.
- La freidora debe instalarse debajo de una campana extractora de acuerdo con la última edición de la norma NFPA 96 para el control de la ventilación y protección contra incendios en operaciones de cocción comerciales (Standard for Ventilation Control and Fire Protection of Commercial Cooking Operations).
- Coloque la freidora en un lugar donde no pueda ser botada del mostrador.
- Mantenga el área que rodea la freidora despejada de materiales combustibles.
- Mantenga despejada el área delante de la freidora para contar con un acceso sin obstrucción durante la operación.
- No la coloque junto a un aparato que produzca calor.

Requisitos eléctricos

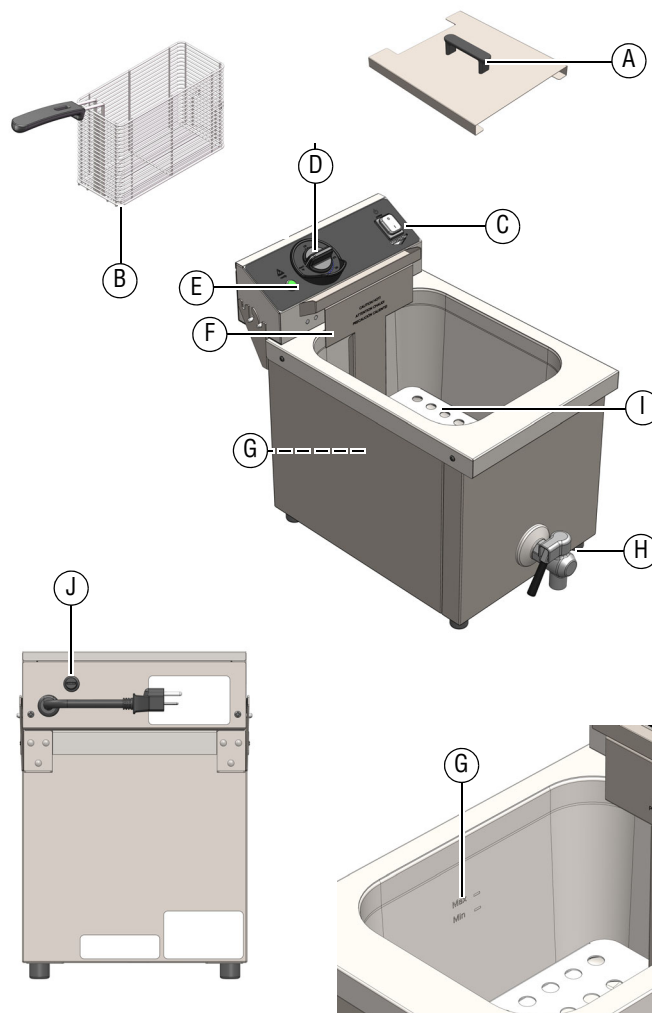
- Cada cabezal de la freidora requiere un circuito dedicado. Algunos modelos vienen con dos cables eléctricos individuales. Cada cable debe conectarse a un circuito dedicado que coincida con el voltaje nominal indicado en la placa identificatoria que se encuentra en la parte posterior de la freidora.

ANTES DEL PRIMER USO

Limpie el equipo

Este equipo debe limpiarse antes de usarlo. Si no se limpian las superficies antes de usar la unidad, los alimentos podrían contaminarse. Consulte la sección Limpieza en este manual.

CARACTERÍSTICAS Y CONTROLES



- A Tapa nocturna.** Cubre el receptáculo y el aceite cuando la freidora no está en uso.
- B Cestas.** Contienen el alimento que se va a freír.
Interruptor de encendido/apagado. Se ilumina cuando el interruptor está en la posición de encendido.
- C Selector de control de temperatura.** Fija la temperatura del aceite.
- D Modo de espera.** Apaga el elemento calefactor. Nota: En este modo, la luz de "listo" también se iluminará.
- E Luz de "listo".** Se ilumina cuando el alimento ha alcanzado la temperatura fijada.
- F Gancho de cesta.** Sostiene la cesta para permitir que el exceso de aceite se drene del alimento.
Nivel máximo de aceite. No llene más allá de esta marca porque el aceite puede rebosar el receptáculo tras haberse agregado la cesta con alimento.
- G Nivel mínimo de aceite.** No opere por debajo de este nivel ya que el aceite puede sobrecalentarse, encenderse e iniciar un incendio.
- H Válvula de drenaje.** Drena el aceite.
- I Elemento calefactor.** Calienta el aceite.
- J Interruptor de reinicio por sobrecalentamiento.** Consulte la sección Solución de problemas.

FUNCIONAMIENTO



⚠️ ADVERTENCIA

Peligro de incendio

El aceite sobrecalentado o sus vapores pueden encenderse y causar un incendio. Supervise la temperatura, calidad y el nivel del aceite.

Caliente cuidadosamente el aceite. Si el aceite emite humo, reduzca el calor. No deje la unidad sola. En caso de incendio apague la unidad y tápela hasta que se enfríe. No agregue agua al aceite caliente o ardiendo. No opere la unidad con un nivel de llenado por debajo de la marca de aceite bajo. El aceite sucio tiene un punto de inflamación más bajo. Reemplace regularmente el aceite. Mantenga un nivel de aceite correcto. Use un sistema de eliminación de vapores de aceite (campana extractora) para reducir la acumulación de aceite y grasa en las paredes o las superficies del techo.

AVISO: No opere la freidora con la o las tapas nocturnas sobre el o los receptáculos.

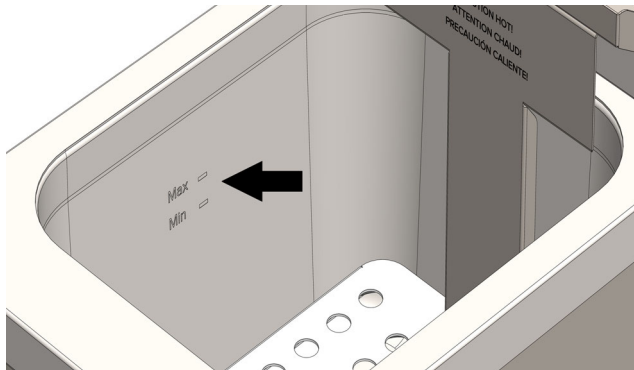
Agregue aceite a los receptáculos

AVISO: No vierta aceite en un receptáculo vacío cuando la freidora esté caliente.

Consejos:

- Use un aceite de alta calidad que no se descomponga rápidamente. Por ejemplo, aceite de maíz o cacahuete.
- Cuele el aceite diariamente.
- Añada aceite nuevo según sea necesario para mantener el nivel de aceite.

1. Antes de cada uso, compruebe el nivel de aceite en cada receptáculo para asegurarse de que está entre las líneas de llenado mínimo y máximo.



2. Verifique que la o las válvulas de drenaje estén en la posición cerrada.



3. Si es necesario añadir aceite, retire las cestas del receptáculo. Añada aceite o manteca al receptáculo hasta que el aceite esté entre las líneas de llenado mínimo y máximo. NO llene excesivamente el receptáculo.

AVISO: Derrita la manteca a 125°F (52°C). Derretir la manteca a temperaturas superiores puede activar el control de límite alto. Una vez que la manteca se haya derretido, fije el selector a la temperatura de fritura.

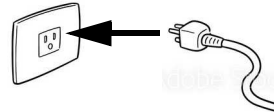
Pre caliente el aceite

Para las freidoras dobles, cada receptáculo funciona independientemente y se puede operar a temperaturas distintas.

Nota: El cabezal de la freidora debe estar en la posición de abajo. Si no lo está, la freidora no se calentará.

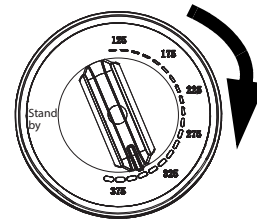
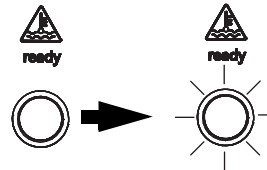
1. Enchufe la freidora en un tomacorriente puesto a tierra cuyo voltaje nominal corresponda al indicado en la placa identificatoria que se encuentra en la parte posterior de la freidora.

AVISO: Usar un voltaje distinto del indicado en la placa identificatoria dañará la unidad. Usar un voltaje incorrecto, o modificar el cable eléctrico o los componentes electrónicos puede dañar la unidad e invalidará la garantía.



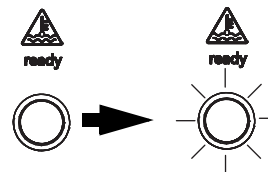
2. Pulse  para encender la freidora. El interruptor se iluminará.

3. Gire el selector a la temperatura deseada.



Alimento	Temperatura sugerida
Papas fritas	375°F (190°C)
Papas rejilla	
Papas fritas envasadas	
Tater Tots®	
Aros de cebolla	350° F (175°C)
Alitas de pollo	
Pescado apanado	
Camarón	

4. La luz de "listo" se encenderá cuando el aceite haya alcanzado la temperatura fijada. \



FUNCIONAMIENTO (CONTINUACIÓN)

Coloque el alimento en la cesta



⚠ PRECAUCIÓN

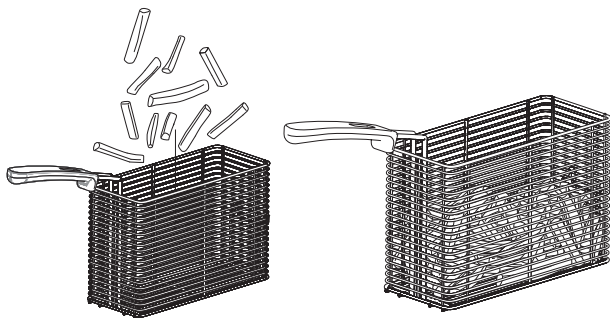
Peligro de quemaduras

El aceite y las piezas calientes pueden provocar quemaduras. Tenga cuidado al operar este equipo. No llene en exceso las cestas, ya que podrían hacer que el aceite caliente se rebose. Algunos alimentos pueden hacer que el aceite salpique. Tenga cuidado al agregar alimentos al aceite caliente y al sumergir las cestas en las freidoras.

Para obtener mejores resultados

Alimento	Consejos
Todos los alimentos	<ul style="list-style-type: none">• Llene las cestas de 1/3 a 1/2 de su capacidad. No las llene excesivamente.• Coloque el alimento de modo que pueda circular en el aceite hirviendo.• Seleccione trozos de alimento que tengan la misma forma y tamaño.• Espume el aceite con frecuencia.• Agite la cesta con frecuencia mientras fríe.
Alimentos congelados	<ul style="list-style-type: none">• Retire los cristales de hielo de los alimentos congelados, ya que pueden hacer que el aceite salpique.• Seque o drene los alimentos húmedos antes de colocarlos en la cesta.
Alimentos rebozados	<ul style="list-style-type: none">• Sumerja la cesta en el aceite y, luego, use unas pinzas para colocar los trozos individuales en el aceite.

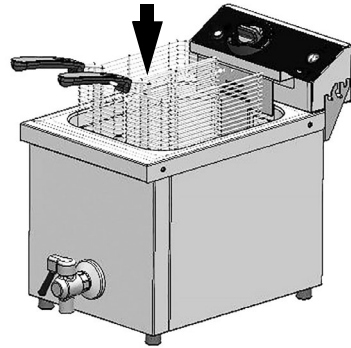
1. Coloque el alimento en la o las cestas.



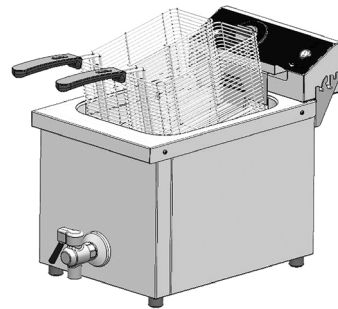
- Llene la cesta de 1/3 a 1/2 de su capacidad.
- Distribuya el alimento de manera uniforme en la cesta.

AVISO: Llenar excesivamente las cestas podría hacer que el aceite caliente se rebose.


2. Sumerja cuidadosamente la o las cestas en el aceite.



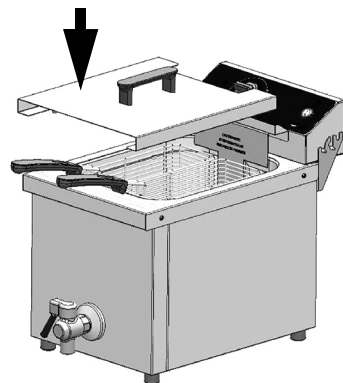
3. Una vez terminada la fritura, retire la o las cestas del aceite y colóquelas en el gancho de la cesta para permitir que el exceso de aceite se escurra de los alimentos.



4. Deje que el exceso de aceite vuelva a escurrirse en el receptáculo antes de transferir el alimento a un plato para servir o zona de conservación.

5. Pulse  para apagar la freidora.

6. Si se usan tapas nocturnas, colóquelas sobre los receptáculos de la freidora cuando esta no esté en uso. Las tapas nocturnas se venden por separado.



LIMPIEZA


	PRECAUCIÓN
Peligro de quemaduras No toque las superficies de calentamiento ni los líquidos calientes cuando la unidad esté calentando o funcionando.	
La comida y líquidos calientes pueden quemar la piel. Deje que el líquido caliente se enfríe antes de manipularlo. No vierta ni derrame agua en el aceite caliente ya que éste se rociará o salpicará fuera del tanque.	

	ADVERTENCIA
Peligro de descarga eléctrica Evite que ingrese agua o cualquier otro tipo de líquido al interior del equipo. El líquido dentro del equipo podría provocar una descarga eléctrica.	
No rocíe con agua ni agentes de limpieza la unidad ni los controles. El líquido podría hacer contacto con los componentes eléctricos y causar un cortocircuito o una descarga eléctrica. No use la unidad si el cable eléctrico está dañado o se ha modificado.	

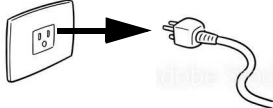
AVISO: Solo debe lavarse a mano. No lave ningún componente de la freidora en el lavavajillas.

AVISO: No emplee materiales abrasivos, limpiadores que rayen ni esponjas metálicas para limpiar el equipo, ya que pueden dañar el acabado.

Limpie este equipo diariamente.

1. Pulse  para apagar la freidora.

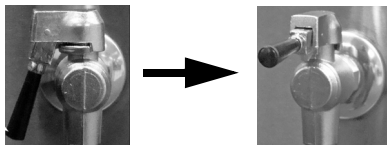
2. Desenchufe la freidora. Para freidoras con dos cables eléctricos, ambos cables deben estar desenchufados.



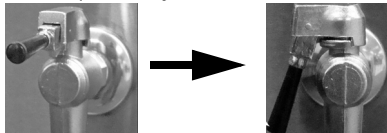
3. Deje que la freidora y el aceite se enfríen totalmente.

4. Coloque un recipiente de metal de 3 galones (11,4 L) o más grande debajo de la válvula de drenaje.

5. Levante el mango de la válvula de drenaje hasta la posición de arriba y gírela lentamente hasta la posición abierta.



6. Una vez que se haya drenado el aceite, cierre la válvula de drenaje.



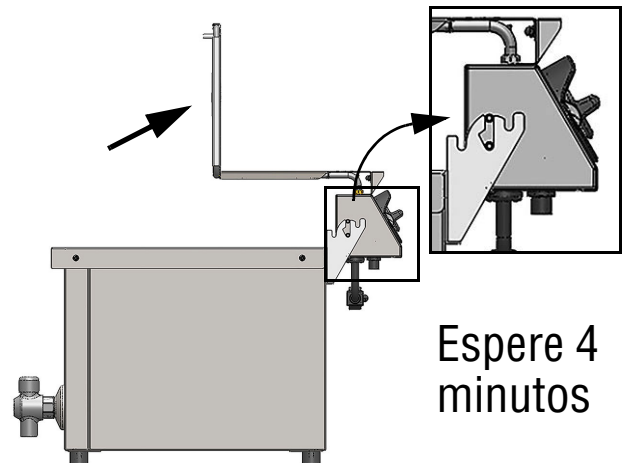
7. Filtre o deseche el aceite usado.

8. Retire las cestas del receptáculo.

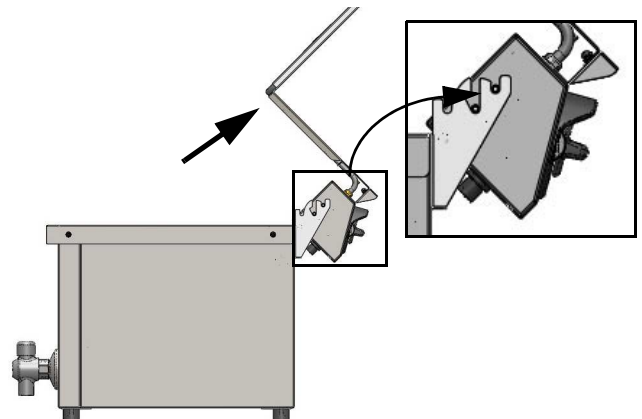
9. Lave las cestas en solución detergente caliente. Enjuáguelas completamente,

10. Levante y gire el cabezal de la freidora, colocando los pasadores en las muescas como se muestra abajo. Deje que el cabezal descansa en esta posición durante un mínimo de cuatro minutos para permitir que el aceite se drene del cabezal de la freidora al receptáculo.

AVISO: No esperar a que se drene el aceite podría hacer que este se vierta en el panel de control o en el área debajo de la freidora. Ello podría dañar los controles y crear una situación peligrosa.



11. Una vez que se haya drenado todo el aceite del cabezal de la freidora, gírela hacia atrás, colocando los pasadores en las muescas como se muestra abajo.



12. Limpie los receptáculos con un paño suave o una esponja humedecida en solución detergente.

0

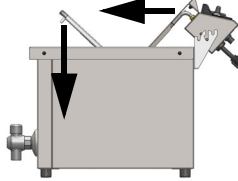
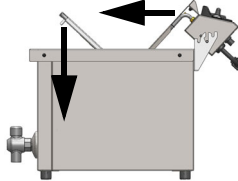
Llene el o los receptáculos con agua hasta la marca de llenado máximo. Agregue detergente para loza y hierva la mezcla durante unos minutos. Luego drene el receptáculo.

13. Limpie el exterior de la freidora con un paño suave o una esponja humedecida con solución detergente.

14. Enjuague bien el equipo para eliminar cualquier residuo de jabón.

15. Seque completamente el equipo.

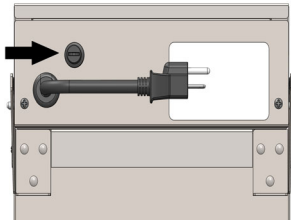
SOLUCIÓN DE PROBLEMAS

Problema	Podría deberse a	Solución
La luz de "listo" no se ilumina cuando el control de temperatura está fijo en espera.	La freidora no está enchufada.	Enchúfela.
	Interruptor de seguridad de temperatura activado.	Reinícielo. Consulte la sección Reinicio de seguridad de temperatura de este manual.
	El cabezal de la freidora no está colocado correctamente.	Asegúrese de que el cabezal de la freidora esté colocado correctamente en las bisagras y sumergido en el aceite. El cabezal de la freidora debe estar en la posición de abajo para activar el interruptor de interbloqueo magnético 
	Luz de "listo" defectuosa.	Reemplácela.
El aceite se calienta demasiado.	Es posible que el nivel de aceite esté demasiado bajo.	Revise el nivel de aceite en el receptáculo. Debe estar entre las líneas de llenado mínimo y máximo. Si no lo está, apague la freidora y deje que se enfríe. Agregue aceite al nivel adecuado.
	Control de termostato defectuoso.	Comuníquese con los Servicios de asistencia técnica de Vollrath.
El aceite no se calienta lo suficiente.	No se deja tiempo suficiente entre usos de la freidora.	Espere a que se encienda la luz de "listo" antes de colocar el alimento en la freidora.
	Control de termostato defectuoso.	Comuníquese con los Servicios de asistencia técnica de Vollrath.
El aceite se calienta lentamente.	Es posible que la freidora esté enchufada en un tomacorriente con voltaje incorrecto.	Verifique que el voltaje nominal en el tomacorriente corresponda al indicado en la etiqueta de la freidora. Si no es así, enchufe la freidora en un tomacorriente con voltaje correcto.
El aceite no se calienta.	El cabezal de la freidora no está colocado correctamente.	Asegúrese de que el cabezal de la freidora esté colocado correctamente en las bisagras y sumergido en el aceite. El cabezal de la freidora debe estar en la posición de abajo para activar el interruptor de interbloqueo magnético. 
	Es posible que se haya activado el interruptor de seguridad de temperatura.	Consulte las instrucciones en la sección Reinicio de seguridad de temperatura de este manual.
	Es posible que el interruptor de seguridad magnético, el termostato o el elemento calefactor estén defectuosos.	Comuníquese con los Servicios de asistencia técnica de Vollrath.
El aceite hierve sobre la superficie al freír.	Demasiado aceite en el receptáculo.	Reduzca la cantidad de aceite.
	Demasiado alimento en la cesta.	Reduzca la cantidad de alimento.
	Demasiada agua en el alimento.	Retire el exceso de líquido o hielo del alimento antes de freírlo.
La freidora deja de funcionar de repente.	Es posible que el aceite esté demasiado caliente y que se haya activado la función de seguridad contra sobrecalentamiento.	Consulte las instrucciones en la sección Reinicio de seguridad de temperatura de este manual.
Problemas de calidad del alimento		
Alimento excesivamente cocido.	El alimento se cocina demasiado tiempo.	Baje la temperatura o ajuste el tiempo de cocción.
Alimento poco cocinado o poco crujiente.	El aceite no está lo suficientemente caliente, no se ha cocinado lo suficiente o hay demasiado alimento en la cesta.	Suba la temperatura o ajuste el tiempo de cocción. Use trozos de alimento de tamaño uniforme. No sobrecargue la cesta. Agite la cesta mientras se cocina el alimento.
El alimento está demasiado cocido por fuera y poco cocido por dentro.	El aceite está demasiado caliente.	Baje la temperatura del aceite.

INTERRUPTOR DE REINICIO DE SEGURIDAD DE TEMPERATURA

Esta freidora viene equipada con un interruptor que corta el suministro si la temperatura del aceite llega a 446 °F (260 °C). Si el interruptor está activado, es necesario corregir la condición que causó la activación y restablecer el interruptor.

1. Determine la causa que hizo que el interruptor se activara y corríjala.
Entre las causas posibles se incluyen; aceite sucio, nivel de aceite bajo, cabezal de la freidora sucio, y cabezal de la freidora no sumergido correctamente en el aceite.
2. Deje que el aceite se enfríe a 300 °F (149 °C) o menos.
3. Pulse y suelte el botón de reinicio en la parte posterior de la freidora.



SERVICIO Y REPARACIÓN

En Vollrath.com. encontrará las piezas que puedan ser reparadas.

Para evitar lesiones o daños materiales graves, no trate de reparar la unidad ni reemplazar un cable eléctrico por su cuenta. No envíe las unidades directamente a The Vollrath Company LLC. Pida instrucciones a los Servicios de asistencia técnica de Vollrath.

Al comunicarse con los servicios, esté listo para proporcionar el número de artículo, número de modelo (si corresponde), número de serie y el comprobante de compra que muestre la fecha en que adquirió la unidad.

CLÁUSULA DE GARANTÍA DE THE VOLLRATH CO. L.L.C.

Esta garantía no se aplica a los productos adquiridos para uso personal, familiar ni doméstico, y The Vollrath Company LLC no ofrece una garantía por escrito a los compradores para dichos usos.

The Vollrath Company LLC garantiza los productos que fabrica o distribuye contra defectos en materiales y fabricación, según se especifica en nuestra cláusula de garantía completa. En todos los casos, la garantía rige desde la fecha de compra original del usuario final que aparece en el recibo. La garantía no cubrirá ningún daño que resulte del uso indebido, abuso, modificación o daños causados por el embalado incorrecto durante la devolución para obtener servicio de reparación dentro del período de vigencia de la garantía.

Para obtener información de garantía, inscripción de productos y anuncios de productos nuevos, visite www.vollrathfoodservice.com.

Para cualquier pregunta o problema relacionado con esta unidad de prueba de campo, póngase en contacto con Becky Guentner, Gerente de Categoría de Vollrath llamando al 920-459-5332 o en bguentner@vollrathco.com.



www.vollrathfoodservice.com

The Vollrath Company, L.L.C.

1236 North 18th Street
Sheboygan, WI 53081-3201 EE. UU.
Tel. principal: 800.624.2051 o 920.457.4851
Fax principal: 800.752.5620 o 920.459.6573
Servicio al cliente: 800.628.0830
Servicio al cliente en Canadá: 800.695.8560

Servicios de asistencia técnica

techservicereps@vollrathco.com
Productos de inducción: 800.825.6036
Productos de calentamiento para mostrador:
800.354.1970
Tostadores: 800-309-2250
Todos los demás productos: 800.628.0832