



Project:

Item Number:

Quantity:

SOUS VIDE IMMERSION CIRCULATOR



60038
60042



60039

DESCRIPTION

Vollrath® Sous Vide Thermal Immersion Circulators are available as complete 120V cooking units with a water bath and cover, or as 120V or 230V head-only Thermal Immersion Circulators that include a clamp to attach to a user-supplied bath or well. The Sous Vide Thermal Immersion Circulator complements Vollrath In-Chamber and Out-of-Chamber Vacuum Pack machines and Cayenne® Charbroilers to provide a complete Sous Vide prep and cooking solution.

AGENCY LISTINGS

Circulator Head



Water Bath and Cover



* Only applies to the 60042 model.

Due to continued product improvement, please consult vollrathfoodservice.com for current product specifications.

ITEMS

Item	Description
60038	Immersion Circulator (head only) 120V
60039	Immersion Circulator (head, bath, and cover) 120V
60042	Immersion Circulator (head only) - Schuko plug 230V

FEATURES & BENEFITS

- Temperature setting resolution of 0.1 °F or 0.1 °C for precise results. Temperature range of 75-203 °F (24-95 °C).
- High-wattage heating element to reduce start-up time
- Five user-definable programs to set temperature and cook times for repeatable results with various operators
- Audible timer indicates when unit is up to temperature and when cooking cycle is complete
- LED display is easy to read
- 60039 includes a convenient drain valve for easy cleaning
- Stainless steel housing provides durability
- Circulator head handle allows easy transport and placement
- Integrated float switch protects the unit by turning off the heating element in a low-water situation
- 4.6 ft. (1.4m) cord and plug

NOTICE: When using 60038 or 60042, the tank capacity must not exceed 9 gallons (35L).

WARRANTY

All models shown come with Vollrath's 1-year standard warranty against defects in materials and workmanship. For full warranty details, please refer to vollrathfoodservice.com.

Approvals	Date

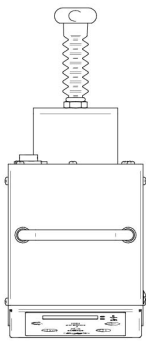


SOUS VIDE IMMERSION CIRCULATOR

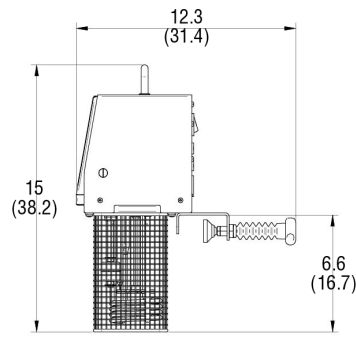
DIMENSIONS

shown in inches (cm)

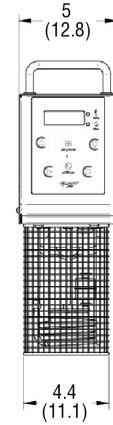
60038
60042



Top View

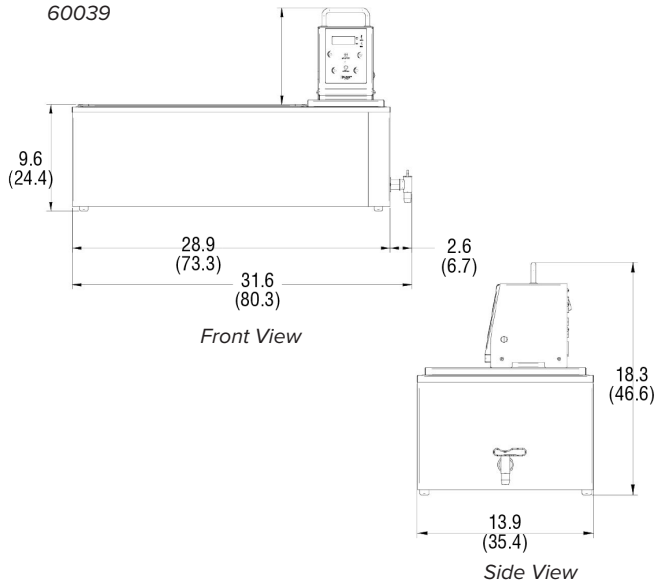


Side View



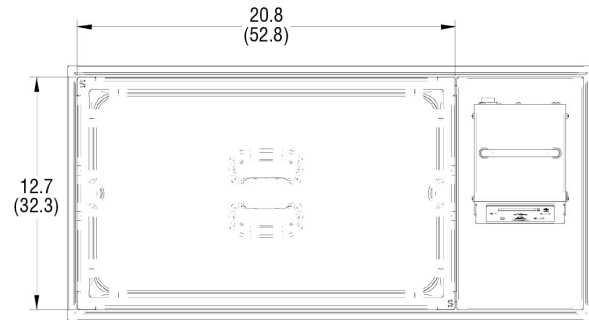
Front View

60039



Front View

Side View



Top View

SPECIFICATIONS

Item	Description	Voltage	Watts	Running Amps	Cord with Plug (Included)	Shipping Dimensions (W x D x H) IN (CM)	Shipping Weight LB (KG)
60038	Immersion Circulator (head only)	120V	1500	12	NEMA5-15P	18 x 13 x 10 (71 x 51 x 3.9)	11 LB (7.4 KG)
60039	Immersion Circulator (head, bath, and cover)	120V	1500	12	NEMA5-15P	19 x 34 x 14½ (48.3 x 86.4 x 36.8)	49 LB (22.2 KG)
60042	Immersion Circulator (head only) - Schuko plug	230V	2000	8.7	Schuko	18 x 13 x 10 (71 x 51 x 3.9)	11 LB (7.4 KG)



The Vollrath Company, L.L.C.
1236 North 18th Street
Sheboygan, WI 53081-3201 U.S.A.
Main Tel: 800.624.2051 or 920.457.4851
Main Fax: 800.752.5620 or 920.459.6573
Customer Service: 800.628.0830
Canada Customer Service: 800.695.8560

© 2022 The Vollrath Company L.L.C.

Technical Services
techservicereps@vollrathco.com
Induction Products: 800.825.6036
Countertop Warming Products: 800.354.1970
All Other Products: 800.628.0832

Form L35898

11/30/22